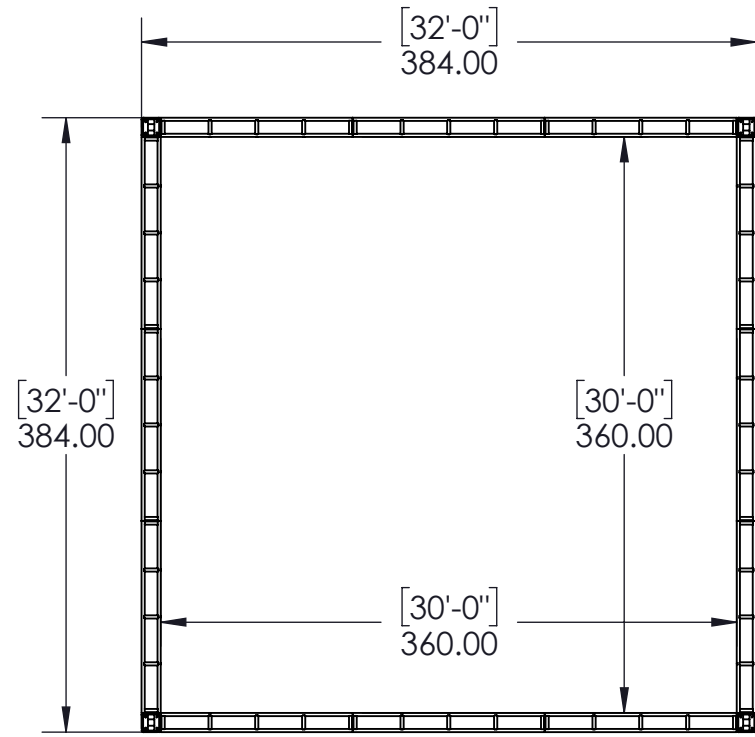
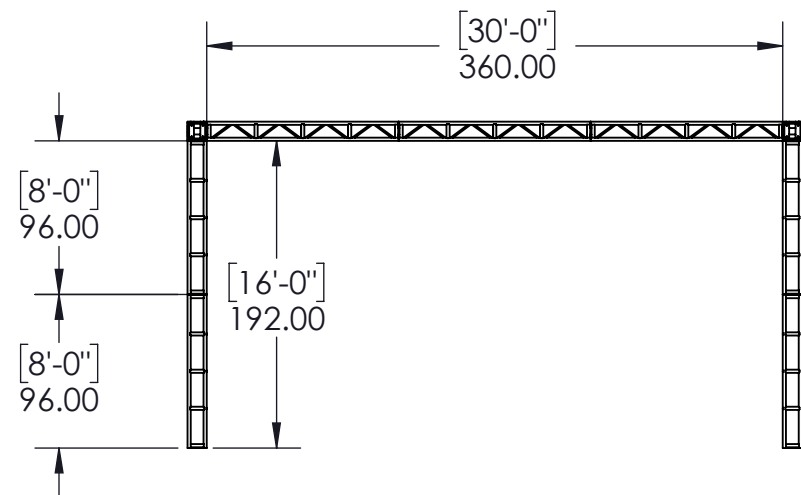
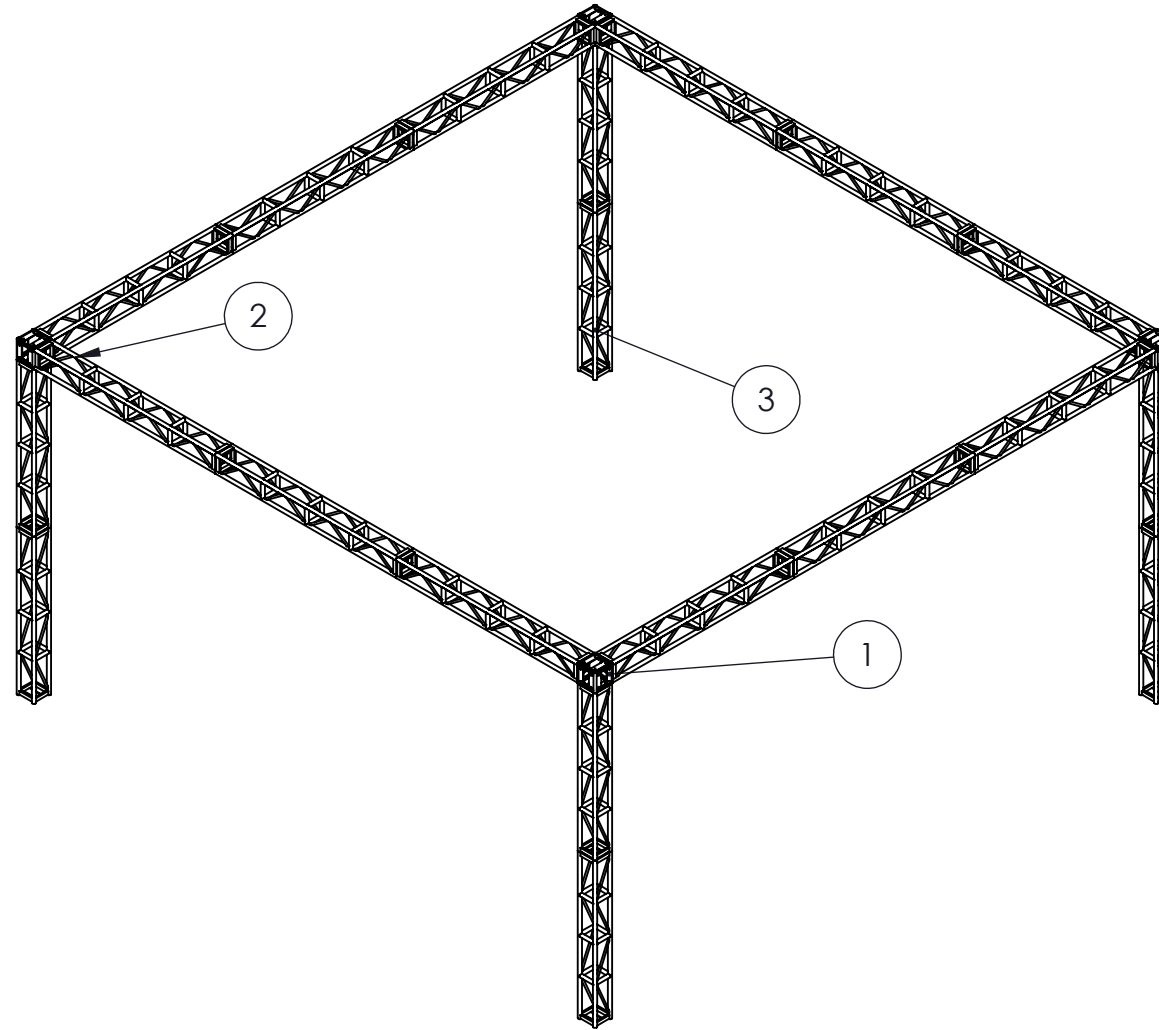


ITEM NO.	PART NUMBER	QTY.
1	12in Corner Block	4
2	10FT Truss	12
3	8FT Truss	8



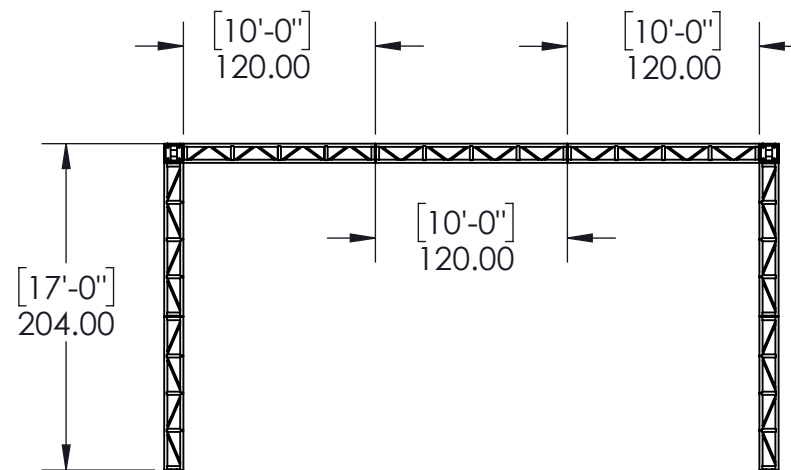
PLAN

2



FRONT ELEVATION

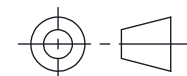
1



END ELEVATION

3

Weight: LBS



<b>Date:</b>	10/4/2016
<b>Scale:</b>	1:120 @ 11in x 17in
<b>Rev Date:</b>	2/24/2017
<b>Sheet:</b>	1 of 1
<b>Rev:</b>	1

**Project Name:** Gallagher  
**Drawing Name:** 30ftX30ftX18FT H.I.D.  
**Project Number:** RQXX  
**Drawn by:** Dan pace  
**Drawing Number:** 30ftX30ftX18FT H.I.D.

**GALLAGHER STAGING & PRODUCTIONS**  
 15701 Heron Ave,  
 La Mirada,  
 CA 90628  
 TEL: +1 (714) 690 1559  
 www.gallagherstaging.com

THIS DRAWING IS PROPERTY OF GALLAGHER STAGING AND PRODUCTIONS AND CANNOT BE DUPLICATED, MODIFIED OR USED FOR ANY OTHER PURPOSE WITHOUT WRITTEN PERMISSION FROM GALLAGHER STAGING. USE OF THIS DRAWING FOR BIDDING IS STRICTLY PROHIBITED. VERIFY ALL DIMENSIONS, SPECIFICATIONS, AND CONDITIONS BEFORE USING THIS DRAWING FOR CONSTRUCTION. THIS DRAWING IS CONFIDENTIAL AND SHOULD NOT BE DISCLOSED TO A 3RD PARTY WITHOUT WRITTEN PERMISSION FROM GALLAGHER STAGING AND PRODUCTIONS.

All dimensions in inches unless otherwise stated Do **NOT** measure undimensioned features **IF IN DOUBT - ASK!**