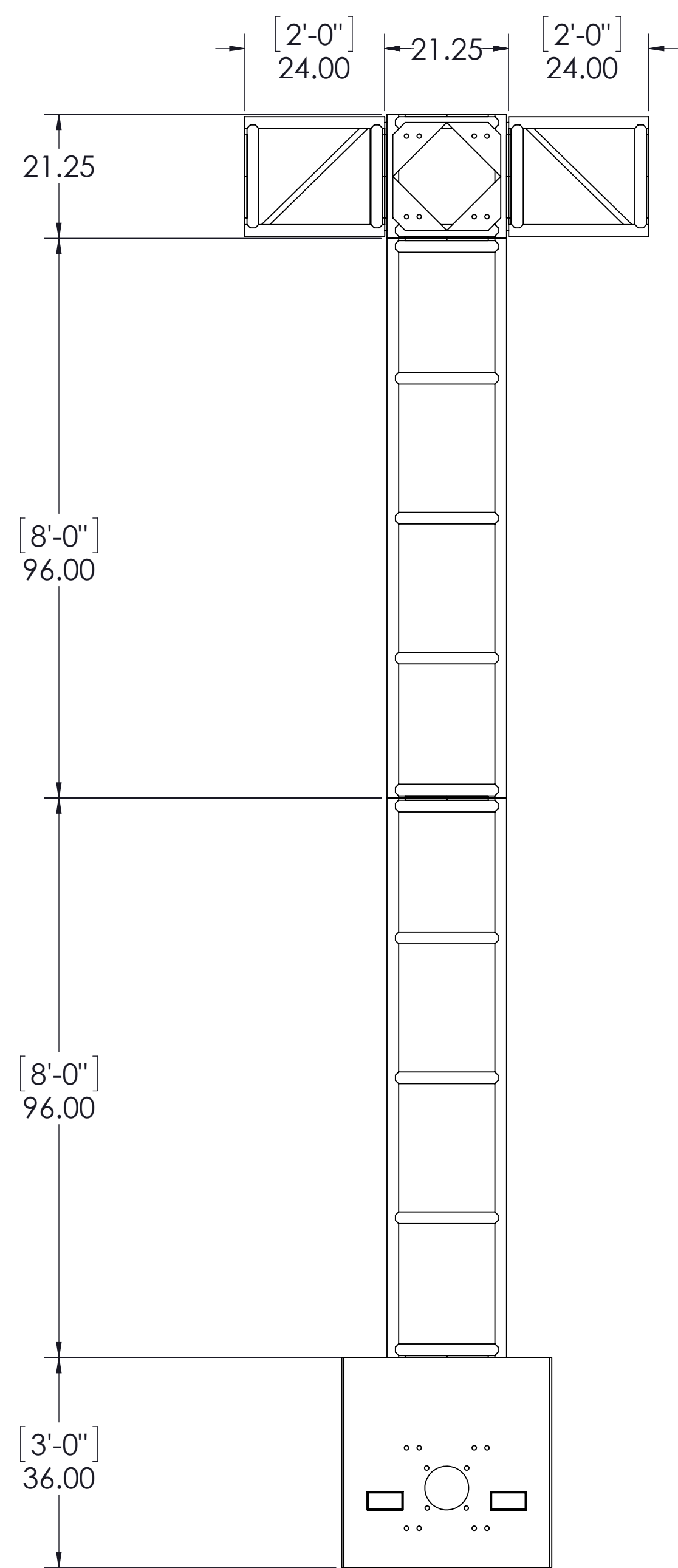


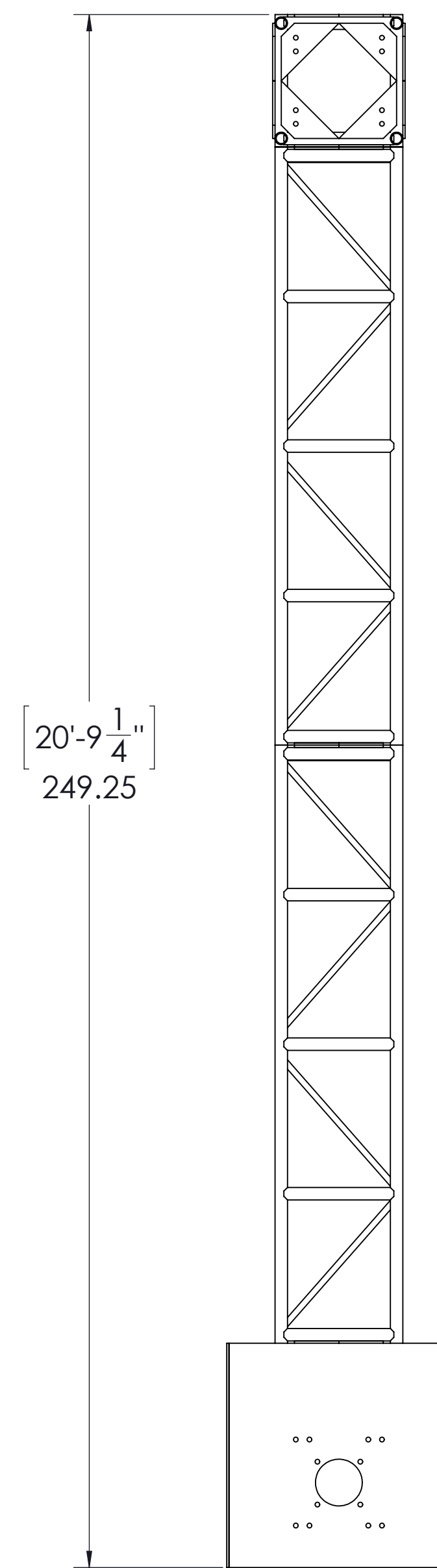
PLAN VIEW

1



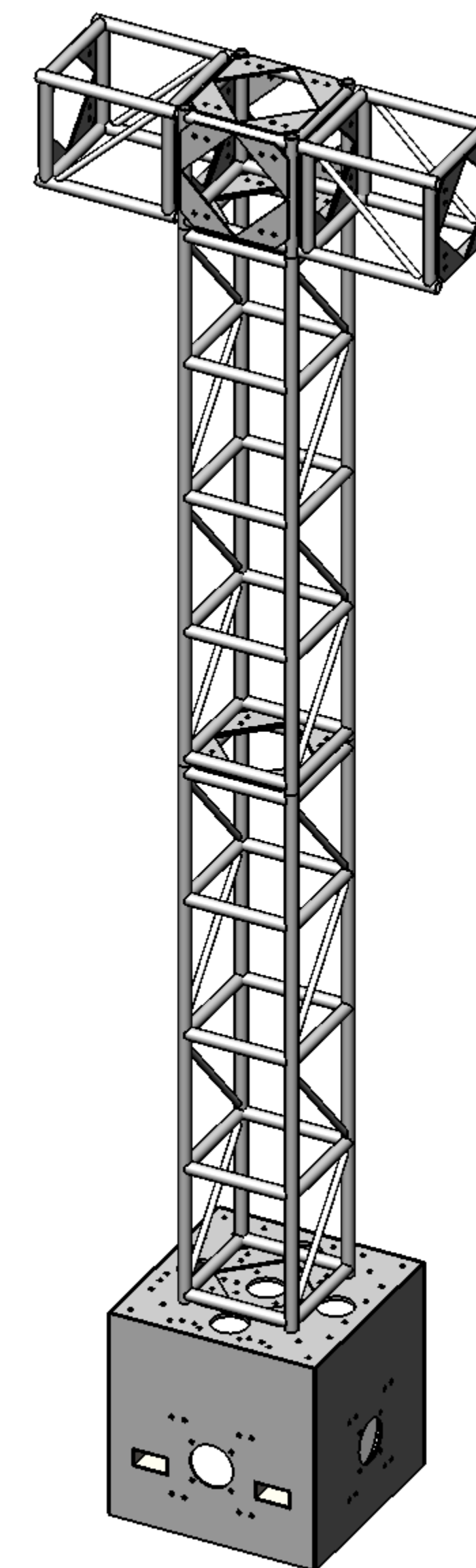
FRONT ELEVATION VIEW

2



SIDE ELEVATION VIEW

3



NOTES: UNLESS OTHERWISE SPECIFIED

GALLAGHER STAGING & PRODUCTIONS
 15701 HERON AVE
 LA MIRADA, CA 90638



PROJECT NAME: GALLAGHER TRUSS TOWER

DRAWING TITLE: GALLAGHER TRUSS TOWER - 20.5IN 21FT TALL "T" TOWER

PROJECT NUMBER:

DRAWN BY: AARON SANCHEZ

DATE: 12/15/2015

REVISION: V1

SCALE: 1 TO 20
 ON 11 X 17 PAGE