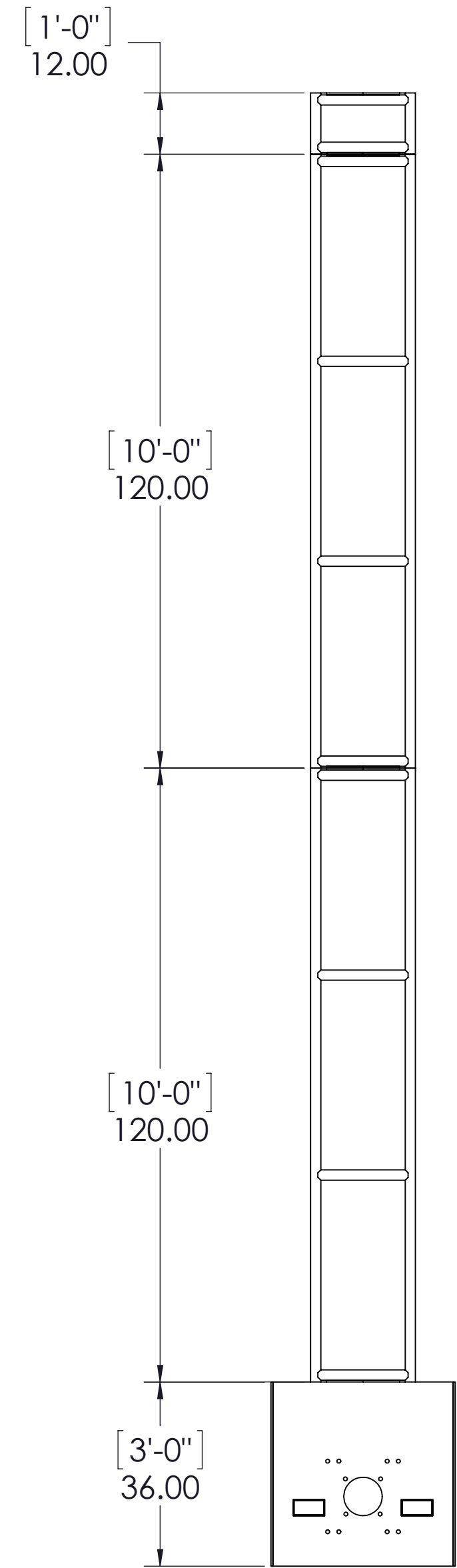
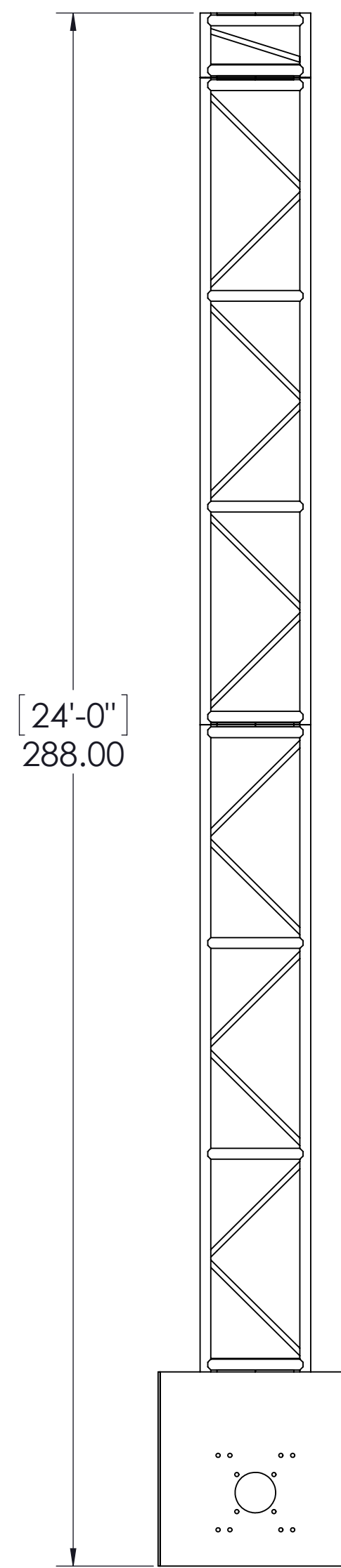


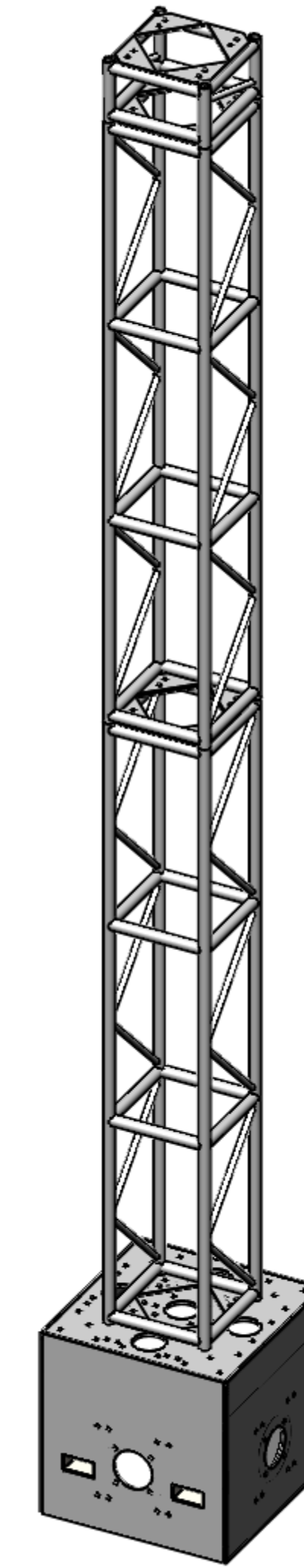
PLAN VIEW



FRONT ELEVATION VIEW



SIDE ELEVATION VIEW



NOTES: UNLESS OTHERWISE SPECIFIED

**GALLAGHER STAGING & PRODUCTIONS**  
 15701 HERON AVE  
 LA MIRADA, CA 90638



**PROJECT NAME:** GALLAGHER TRUSS TOWER

**DRAWING TITLE:** GALLAGHER TRUSS TOWER - 20.5IN TRUSS 24FT TALL VERT

**PROJECT NUMBER:**

**DRAWN BY:** AARON SANCHEZ

**DATE:** 12/14/2015

**REVISION:** V1

**SCALE:** 1 TO 25  
 ON 11 X 17 PAGE