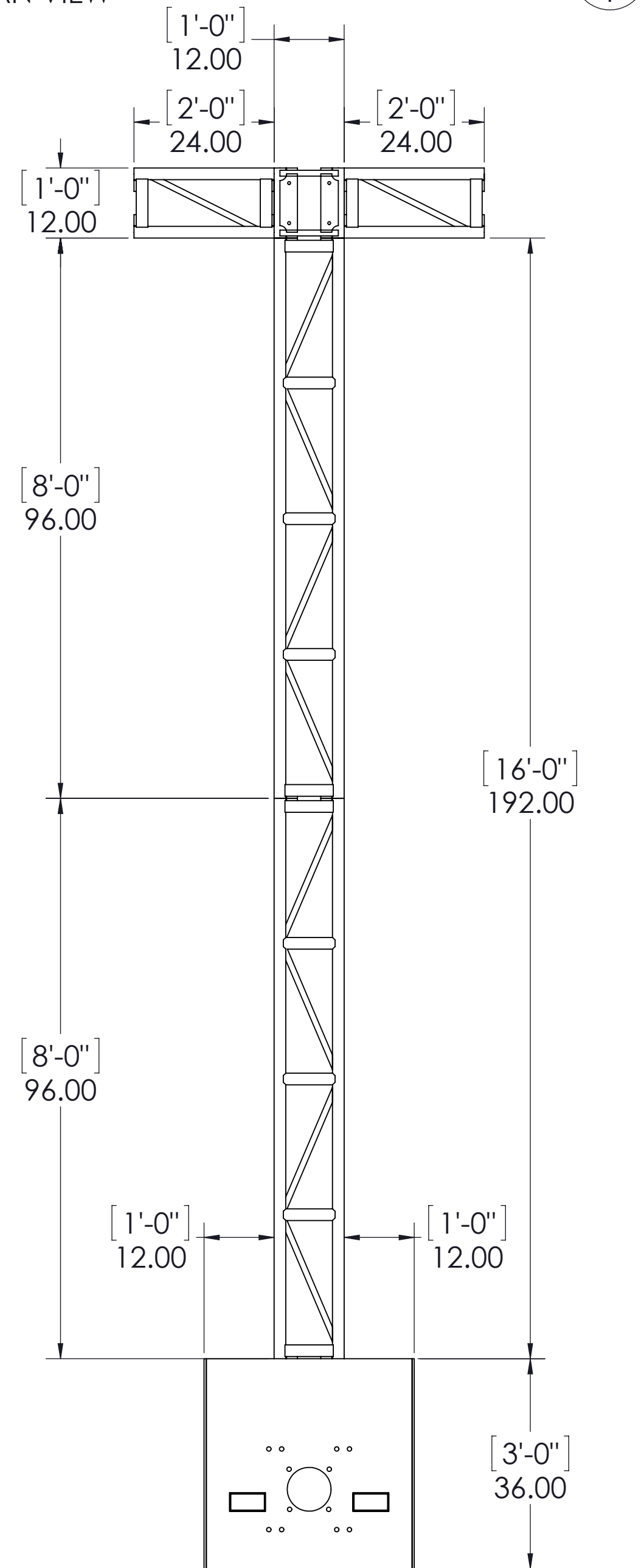
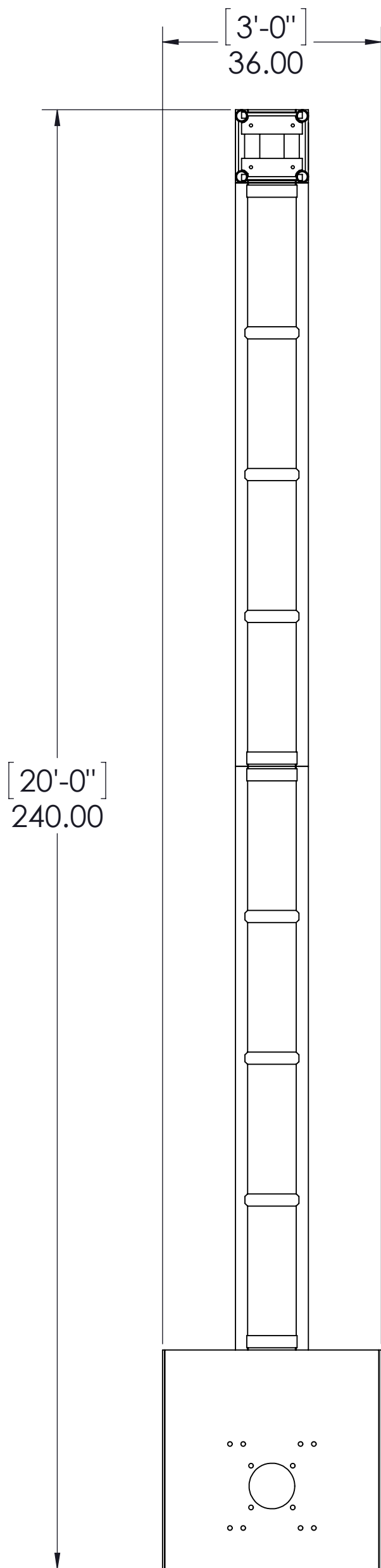


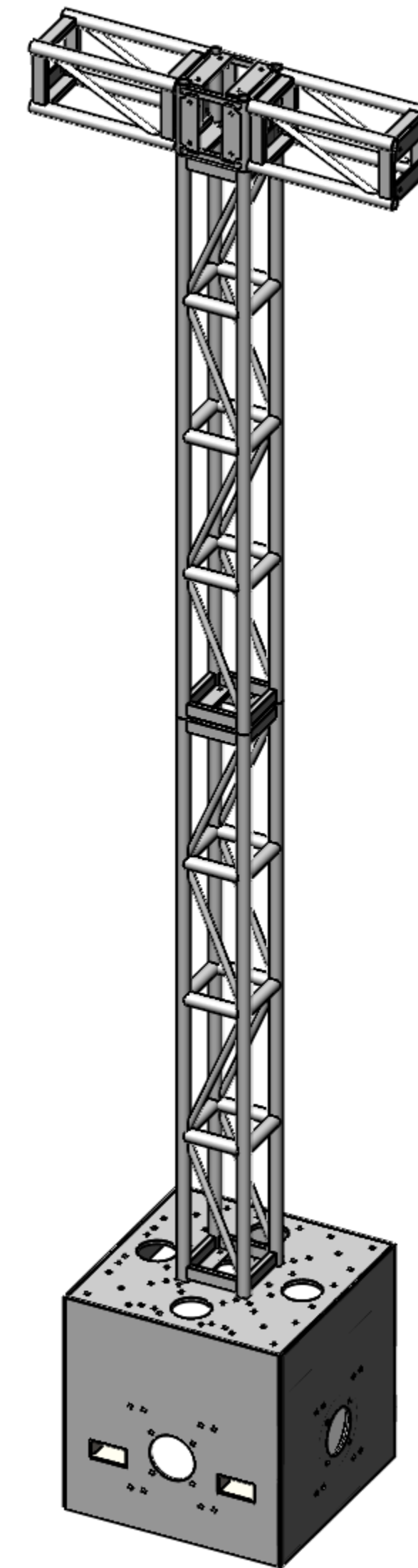
PLAN VIEW



FRONT ELEVATION VIEW



SIDE ELEVATION VIEW



NOTES: UNLESS OTHERWISE SPECIFIED

DATE: 10/30/2015
 REVISION: V1
 SCALE: 1 TO 16
 ON 11 X 17 PAGE

PROJECT NAME: GALLAGHER TRUSS TOWER "T"
 DRAWING TITLE: GALLAGHER TRUSS TOWER "T" - 20FTX5FT 12IN TRUSS W/G-BLOCK
 PROJECT NUMBER:
 DRAWN BY: AARON SANCHEZ

GALLAGHER STAGING & PRODUCTIONS
 15701 HERON AVE
 LA MIRADA, CA 90638

