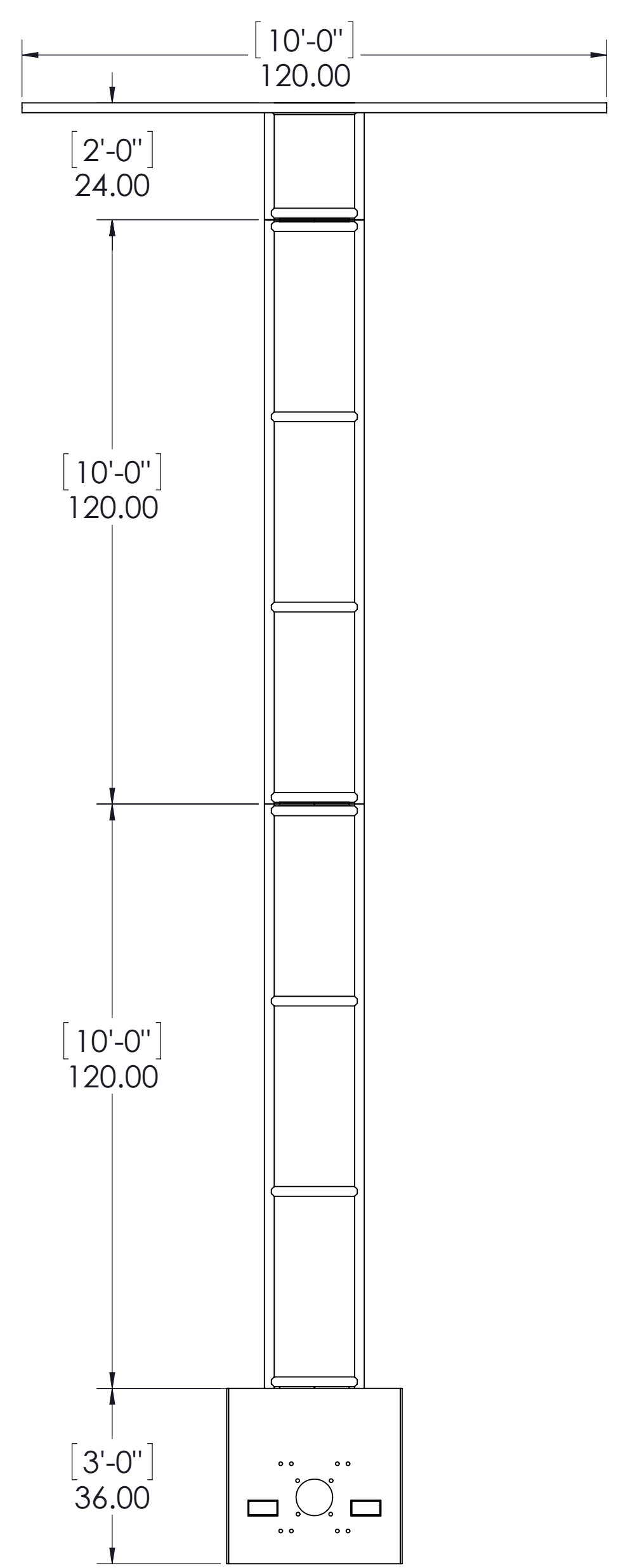
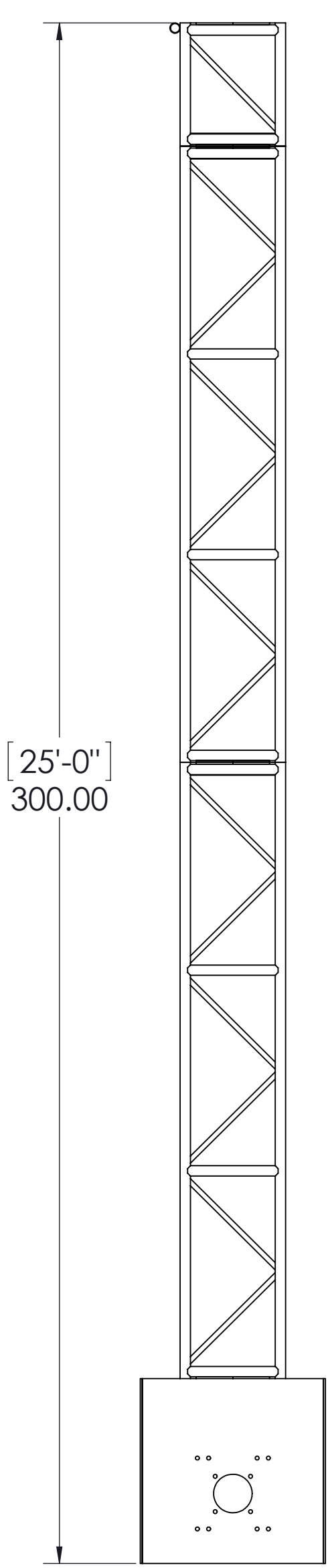


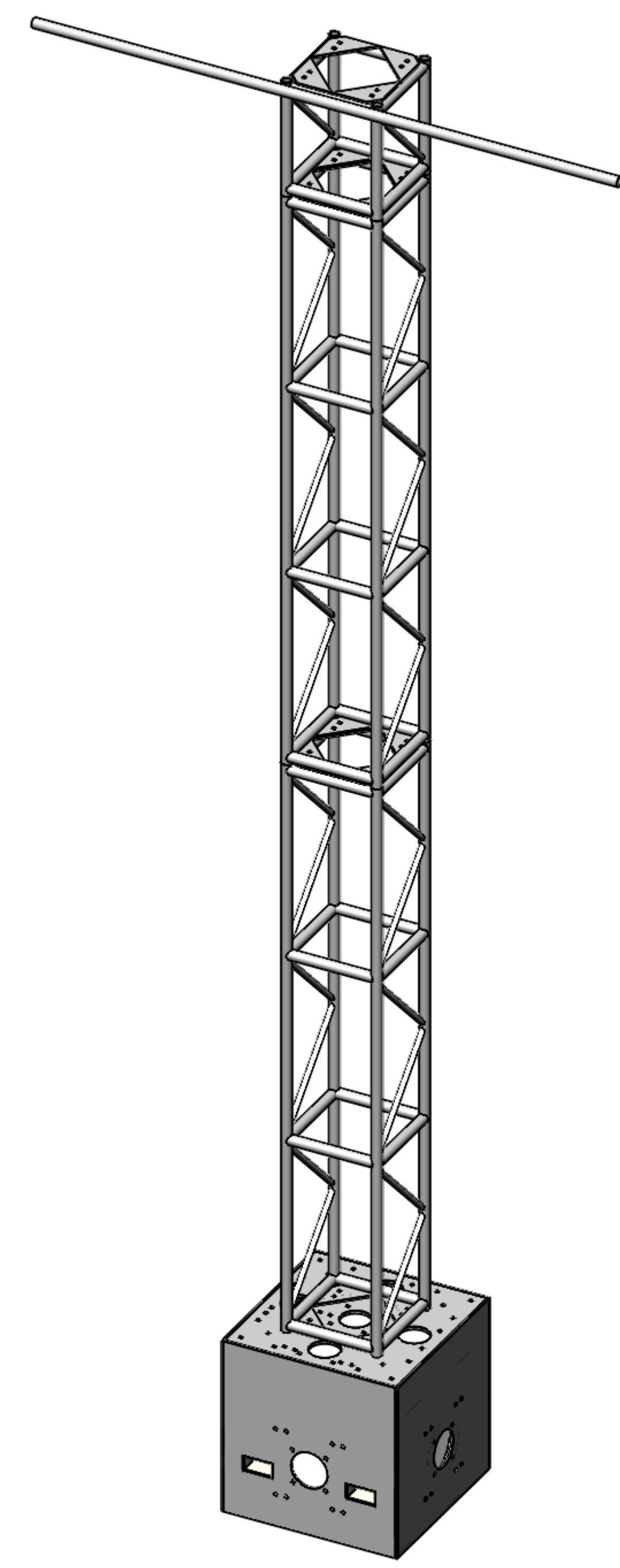
PLAN VIEW 1



FRONT ELEVATION VIEW 2



SIDE ELEVATION VIEW 3



NOTES: UNLESS OTHERWISE SPECIFIED

PROJECT NAME: GALLAGHER TRUSS TOWER	DATE: 11/25/2015
DRAWING TITLE: GALLAGHER TRUSS TOWER - 25FT TALL VERT	REVISION: V1
PROJECT NUMBER:	SCALE: 1 TO 25
DRAWN BY: AARON SANCHEZ	ON 11 X 17 PAGE

GALLAGHER STAGING & PRODUCTIONS
 15701 HERON AVE
 LA MIRADA, CA 90638

