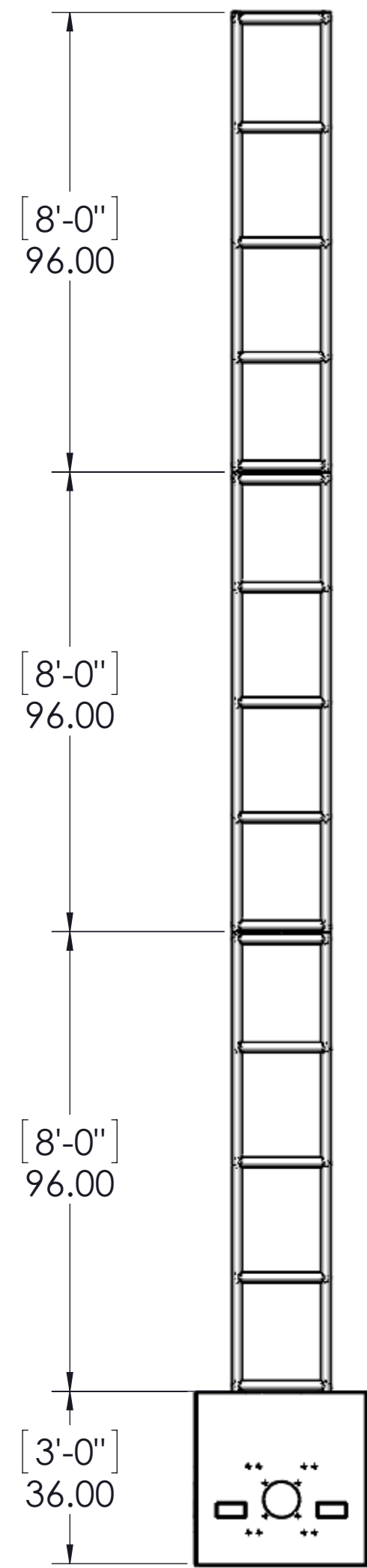
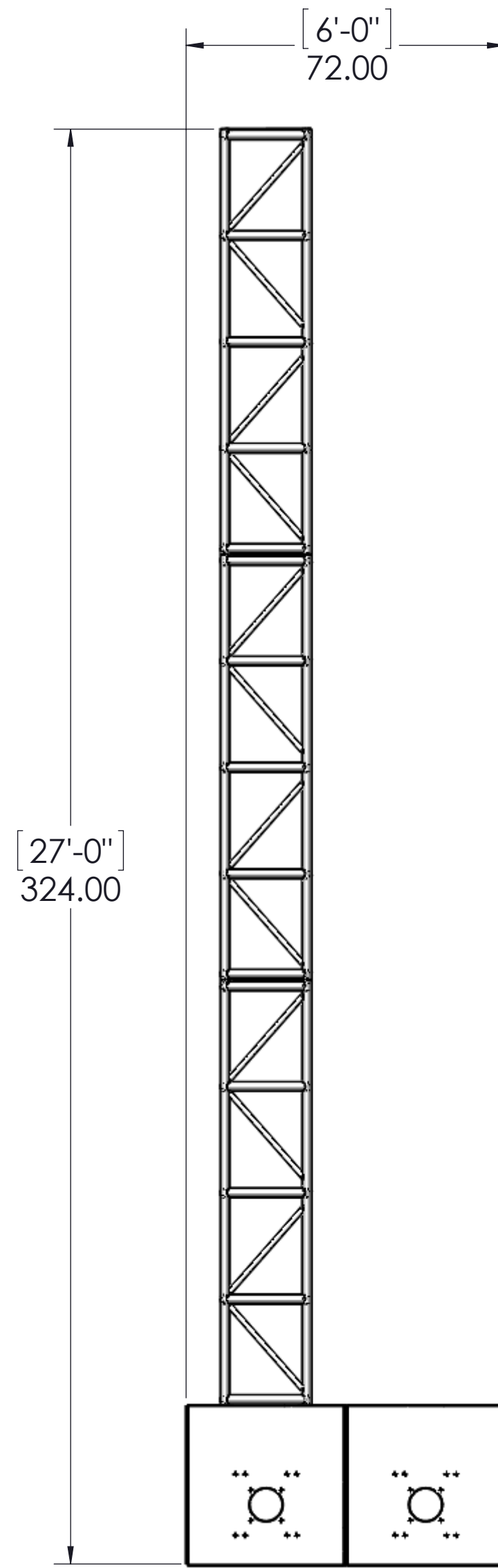


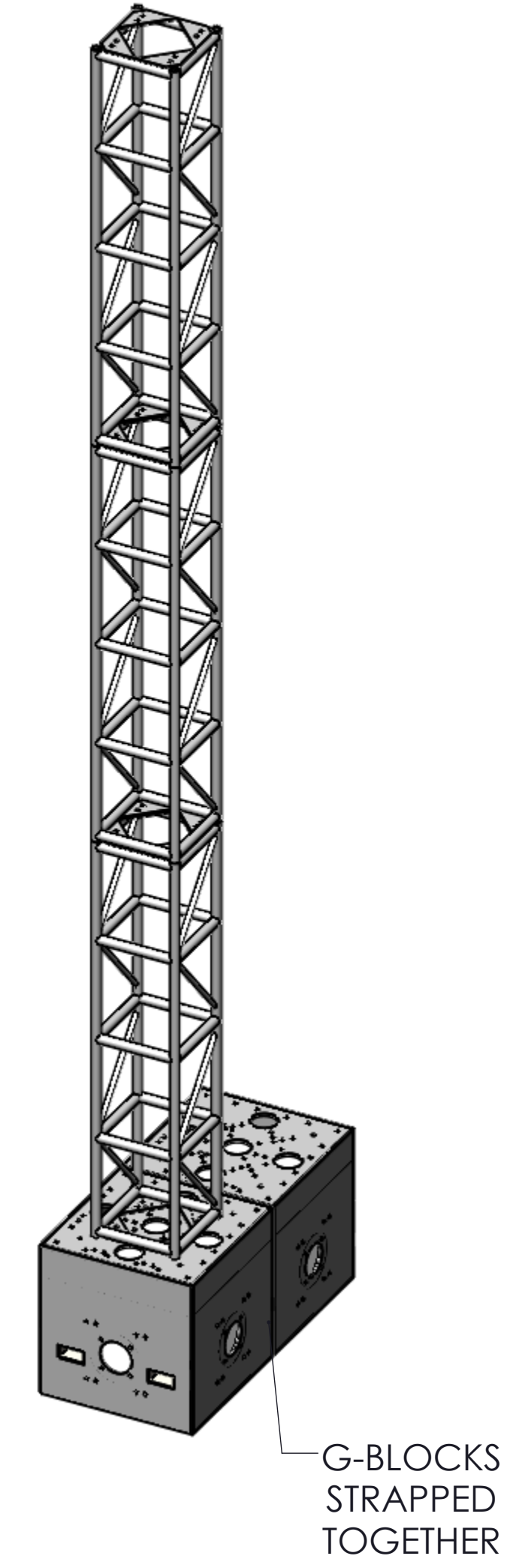
PLAN VIEW



FRONT ELEVATION VIEW



SIDE ELEVATION VIEW



NOTES: UNLESS OTHERWISE SPECIFIED

Gallagher
STAGING & PRODUCTIONS
15701 HERON AVE
LA MIRADA, CA 90638

PROJECT NAME: GALLAGHER TRUSS TOWER
DRAWING TITLE: GALLAGHER TRUSS TOWER - 27FT TALL
PROJECT NUMBER:
DRAWN BY: AARON SANCHEZ

DATE: 11/23/2015
REVISION: V1
SCALE: 1 TO 30
ON 11 X 17 PAGE