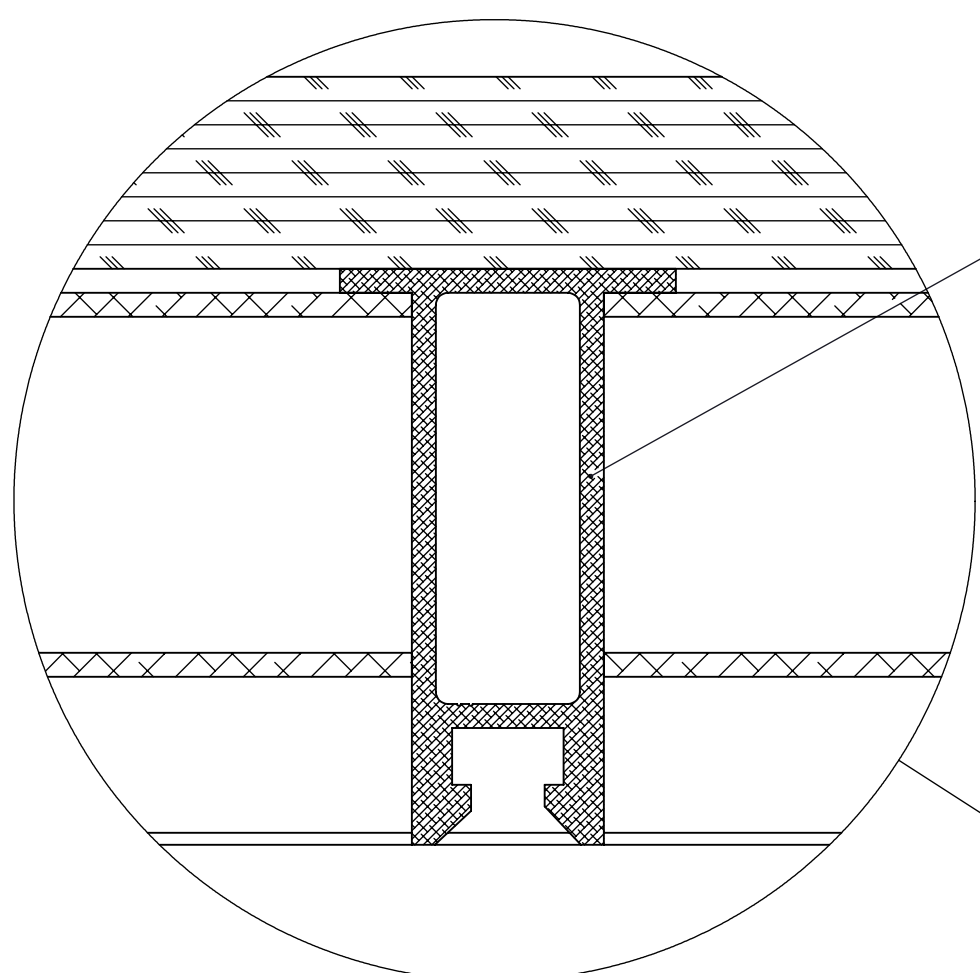
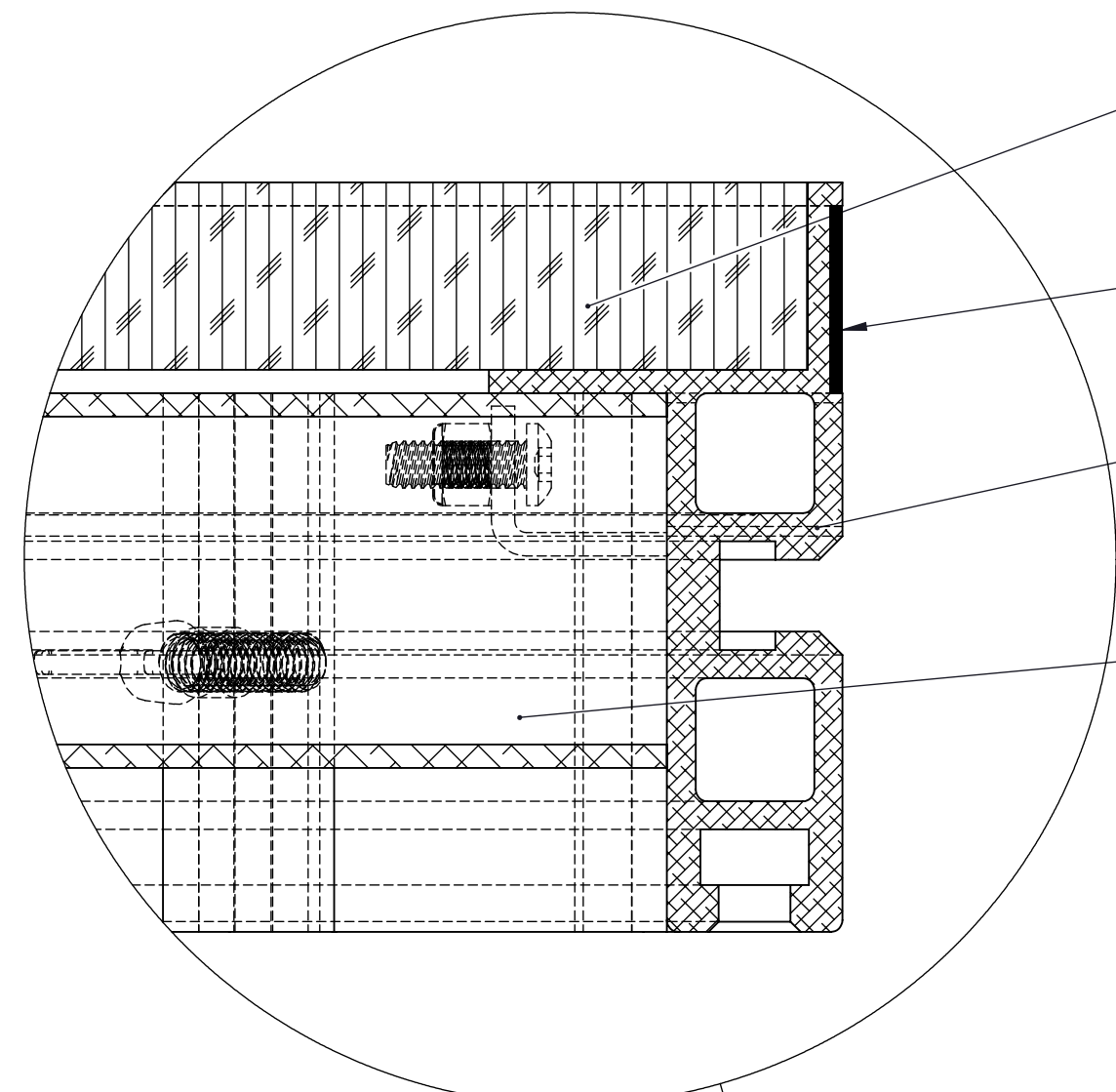


COFFIN LOCK
2 MALE - 2 FEMALE
4PL.



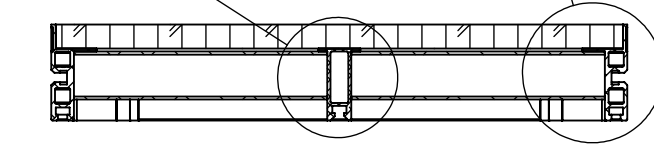
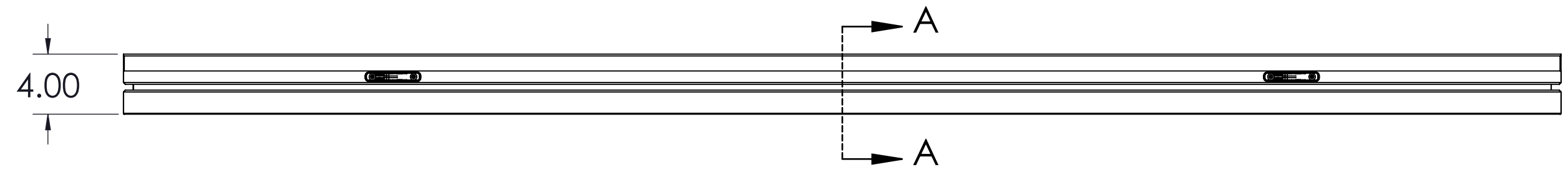
G-DECK
SINGLE HOLLOW
EXTRUSION

DETAIL C
SCALE 1 : 1



1" PLYWOOD
1/16" VELCRO
G-DECK PROFILE
EXTRUSION
PIPE POCKET
6PL.

DETAIL B
SCALE 1 : 1



SECTION A-A
SCALE 1 : 8

NOTES: UNLESS OTHERWISE SPECIFIED

PROJECT NAME: 2' x 8' G-DECK	DATE: 02/13/2014
DRAWING TITLE: 2' X 8' G-DECK	REV: X2
PROJECT NUMBER:	SCALE: 1 TO 8 ON 11 X 17 PAGE

GALLAGHER STAGING & PRODUCTIONS
15701 HERON AVE
LA MIRADA, CA 90638

