

8 7 6 5 4 3 2 1

D

C

B

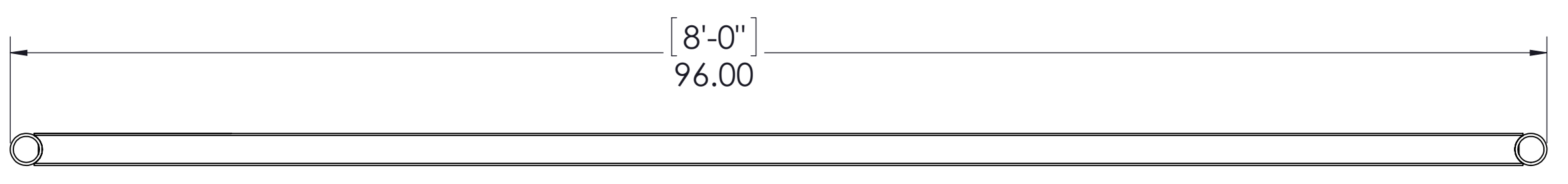
A

D

C

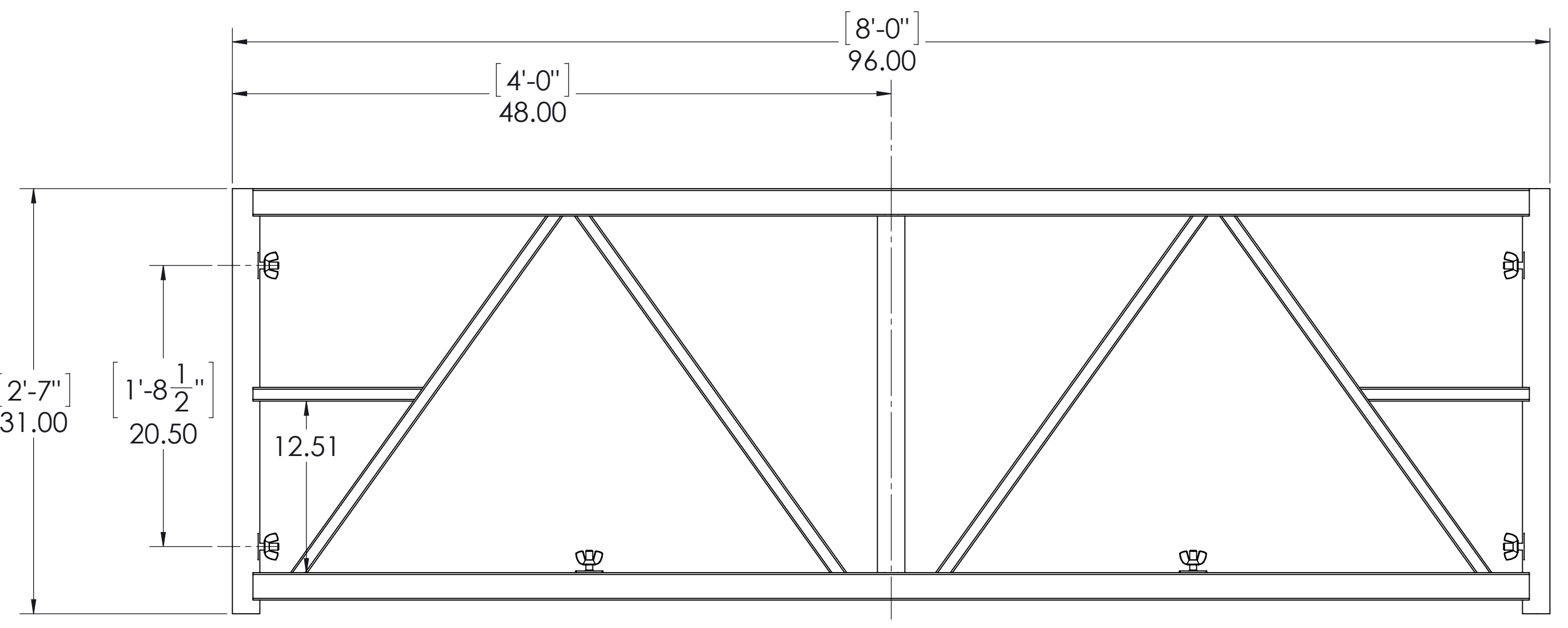
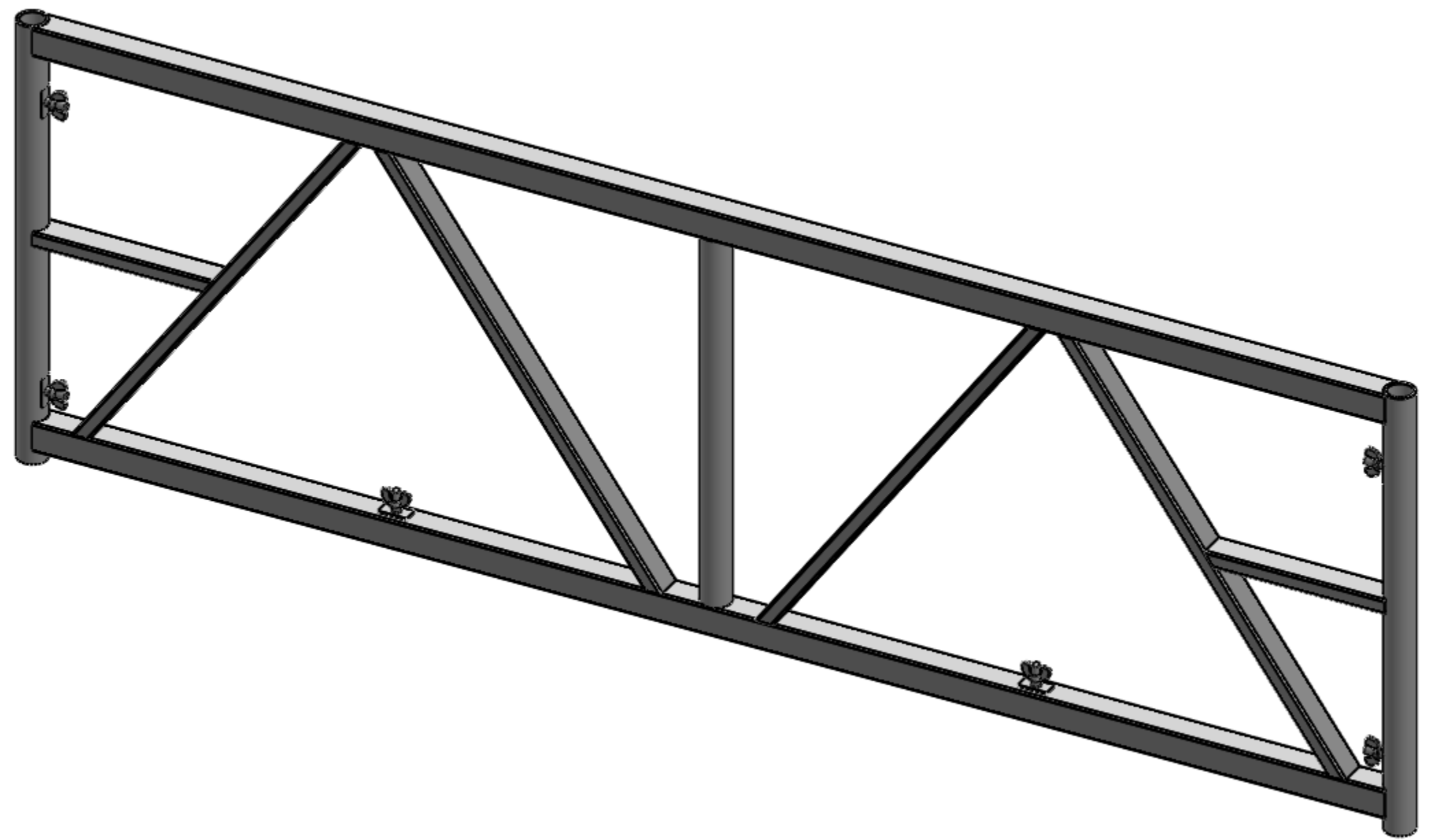
B

A



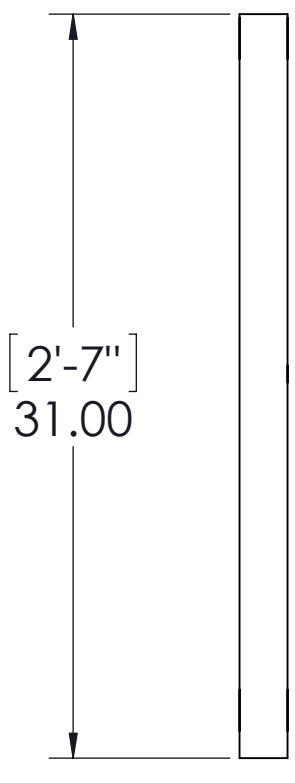
PLAN VIEW

1



FRONT ELEVATION VIEW

2



SIDE ELEVATION VIEW

3

NOTES: UNLESS OTHERWISE SPECIFIED

PROJECT NAME: GALLAGHER WALL	DATE: 02/18/2015
DRAWING TITLE: GALLAGHER WALL - 3FT X 8FT	REVISION: V1
PROJECT NUMBER:	SCALE: 1 TO 8 ON 11 X 17 PAGE

GALLAGHER STAGING & PRODUCTIONS
 15701 HERON AVE
 LA MIRADA, CA 90638

