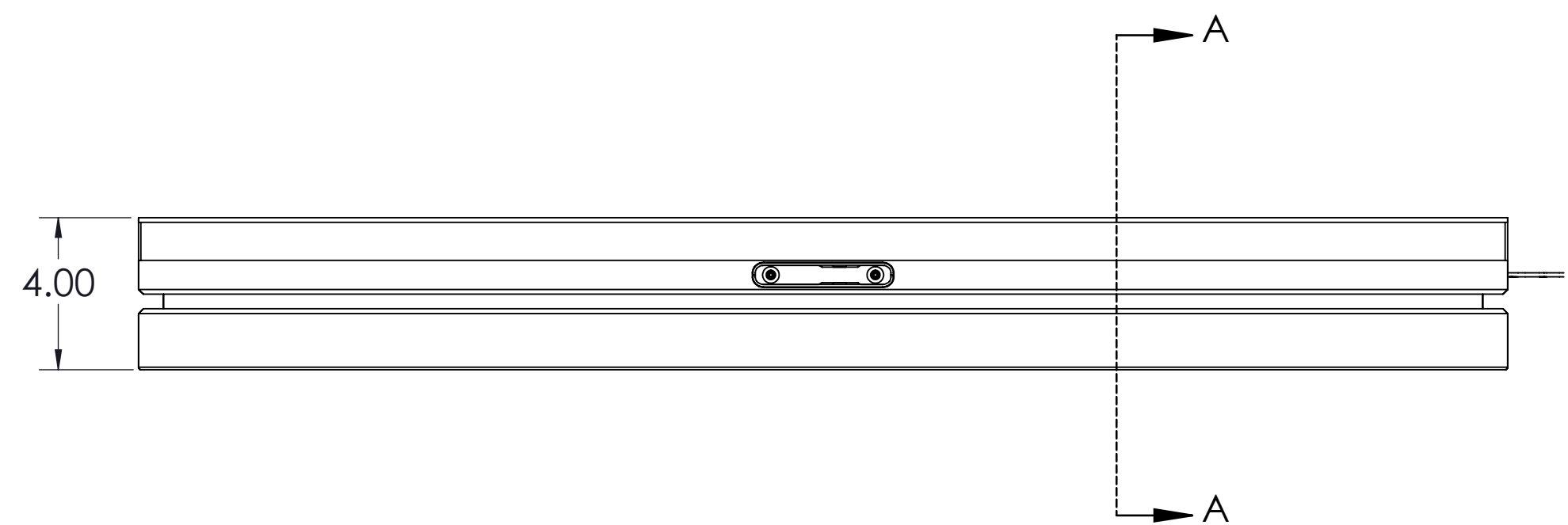


DETAIL B
SCALE 1 : 1



SECTION A-A
SCALE 1 : 4

NOTES: UNLESS OTHERWISE SPECIFIED

PROJECT NAME: 3' X 3' GRATED DECK

DRAWING TITLE: 3' X 3' GRATED DECK

PROJECT NUMBER:

DRAWN BY:

DATE: 03/28/2015

REVISION: V1

SCALE: 1 TO 4

ON 11 X 17 PAGE

GALLAGHER STAGING & PRODUCTIONS
15701 HERON AVE
LA MIRADA, CA 90638

