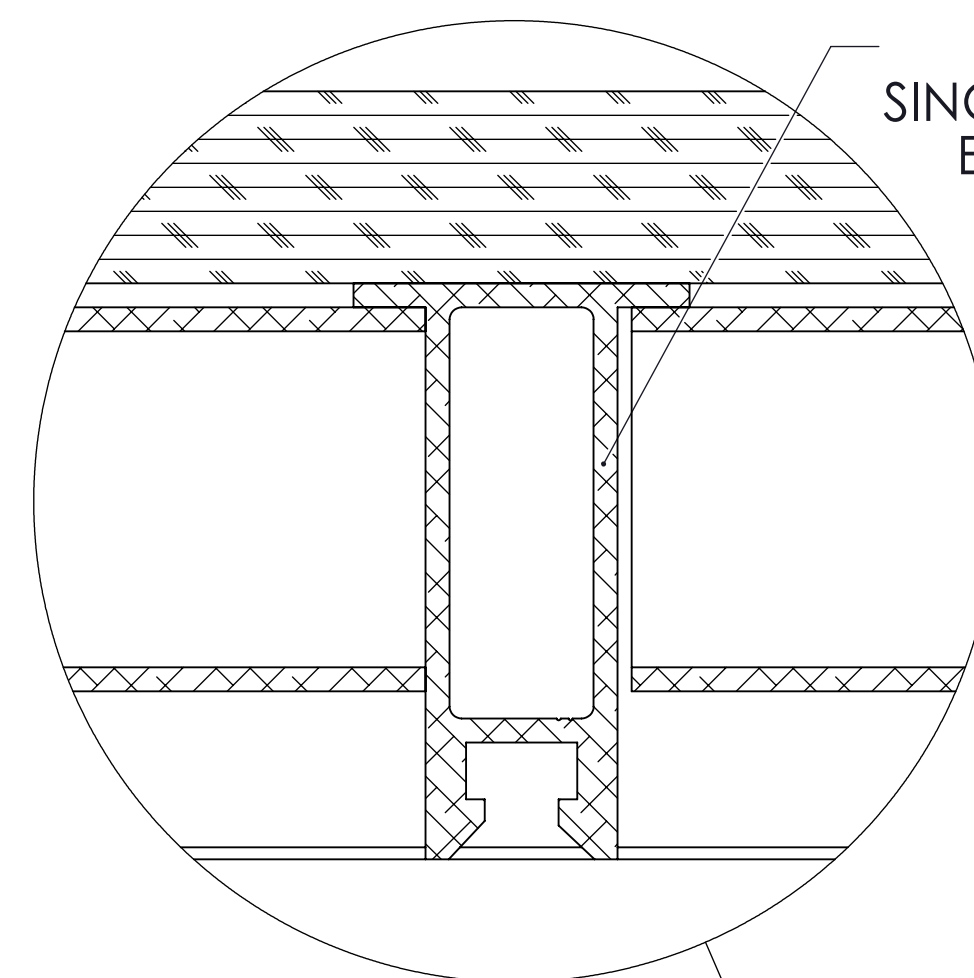
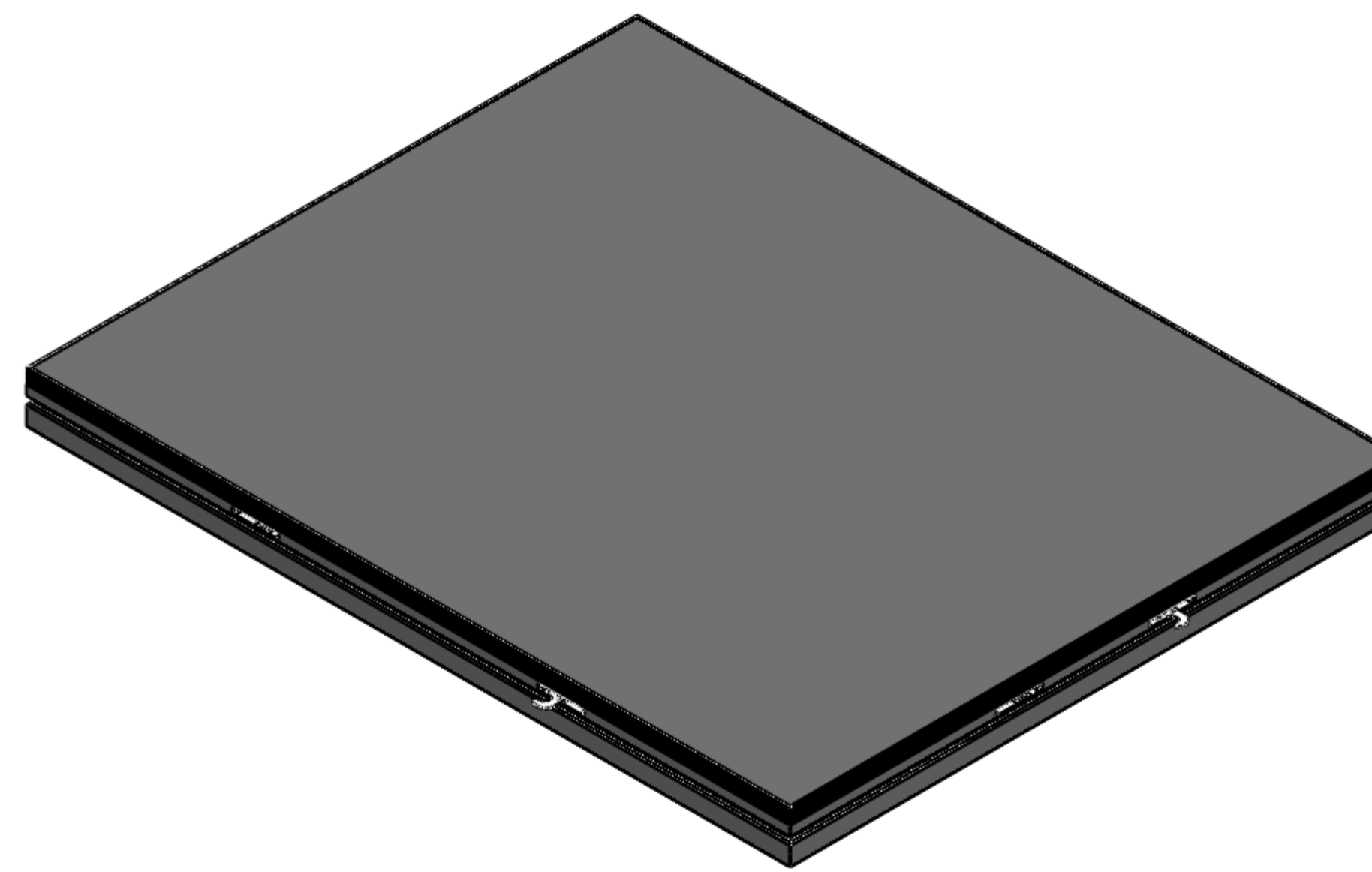
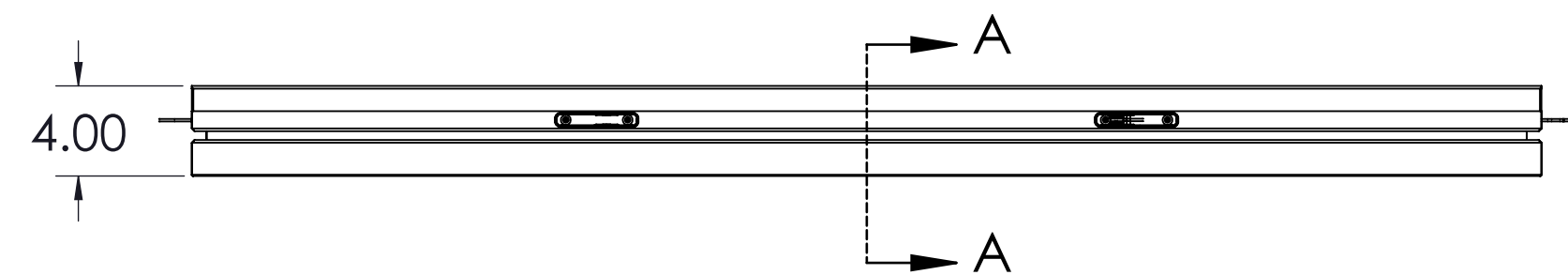
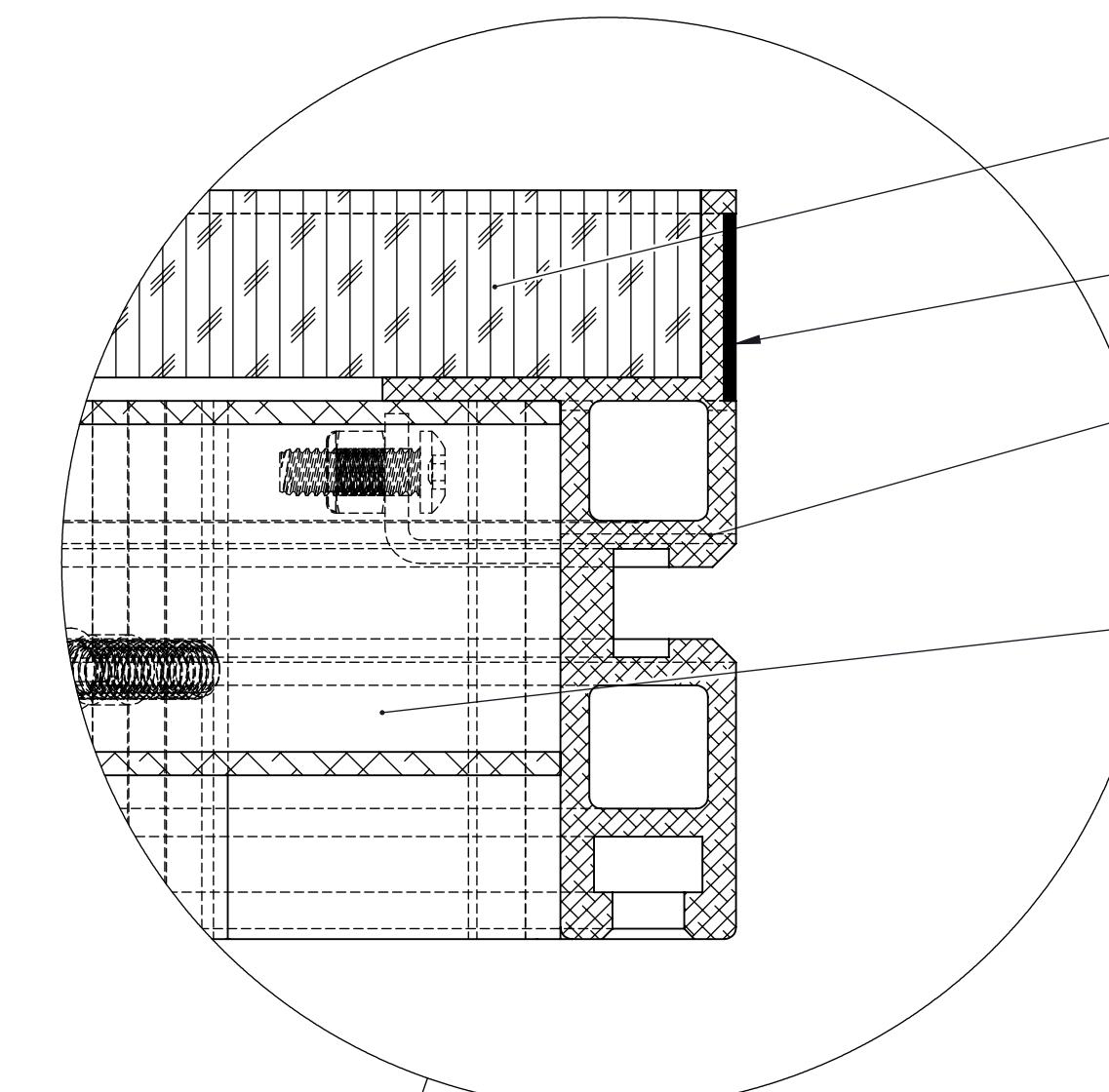


COFFIN LOCK  
4 MALE - 4 FEMALE  
8PL.



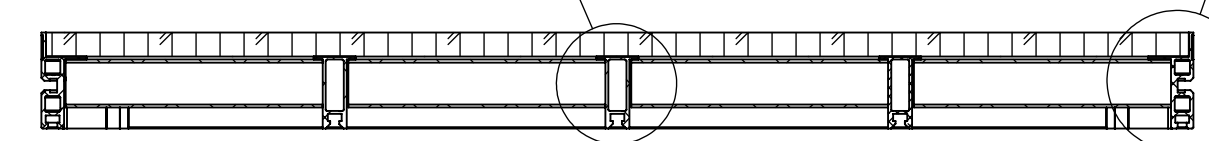
G-DECK  
SINGLE HOLLOW  
EXTRUSION

DETAIL C  
SCALE 1 : 1



1" PLYWOOD  
1/16" VELCRO  
G-DECK PROFILE  
EXTRUSION  
PIPE POCKET  
6PL.

DETAIL B  
SCALE 1 : 1



SECTION A-A  
SCALE 1 : 8

NOTES: UNLESS OTHERWISE SPECIFIED

PROJECT NAME: 4' x 5' G-DECK  
DRAWING TITLE: 4' X 5' G-DECK  
PROJECT NUMBER:  
DRAWN BY:

GALLAGHER STAGING & PRODUCTIONS  
15701 HERON AVE  
LA MIRADA, CA 90638



DATE: 03/27/15  
REVISION: V1  
SCALE: 1 TO 8  
ON 11 X 17 PAGE