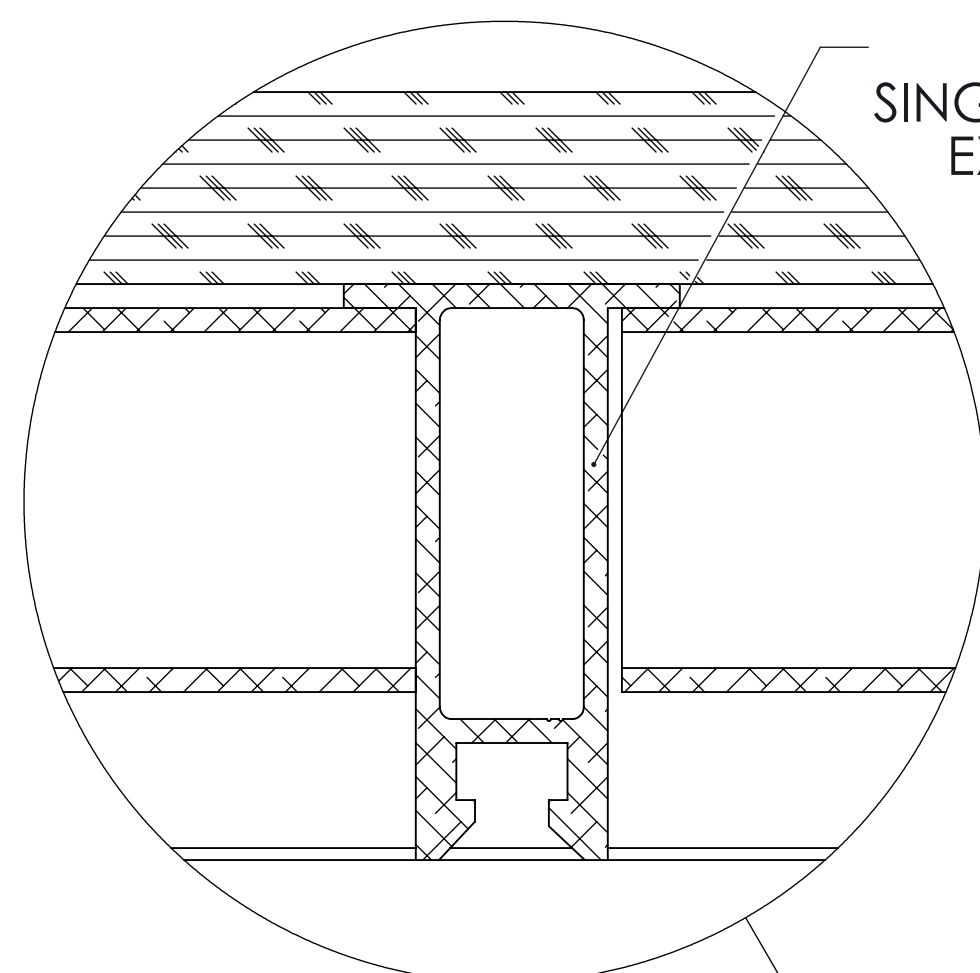
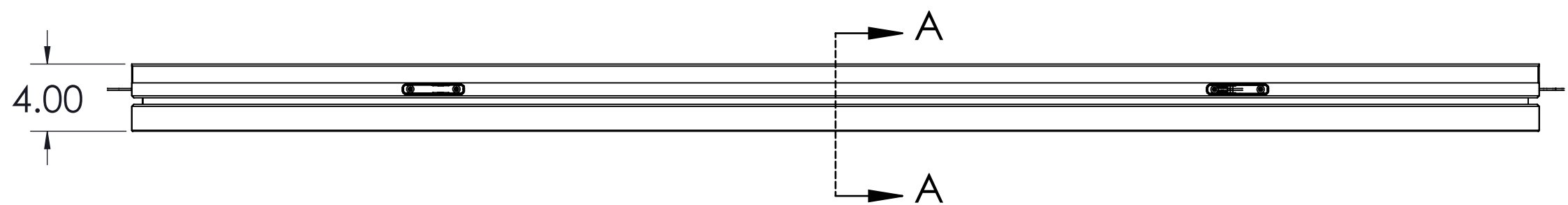
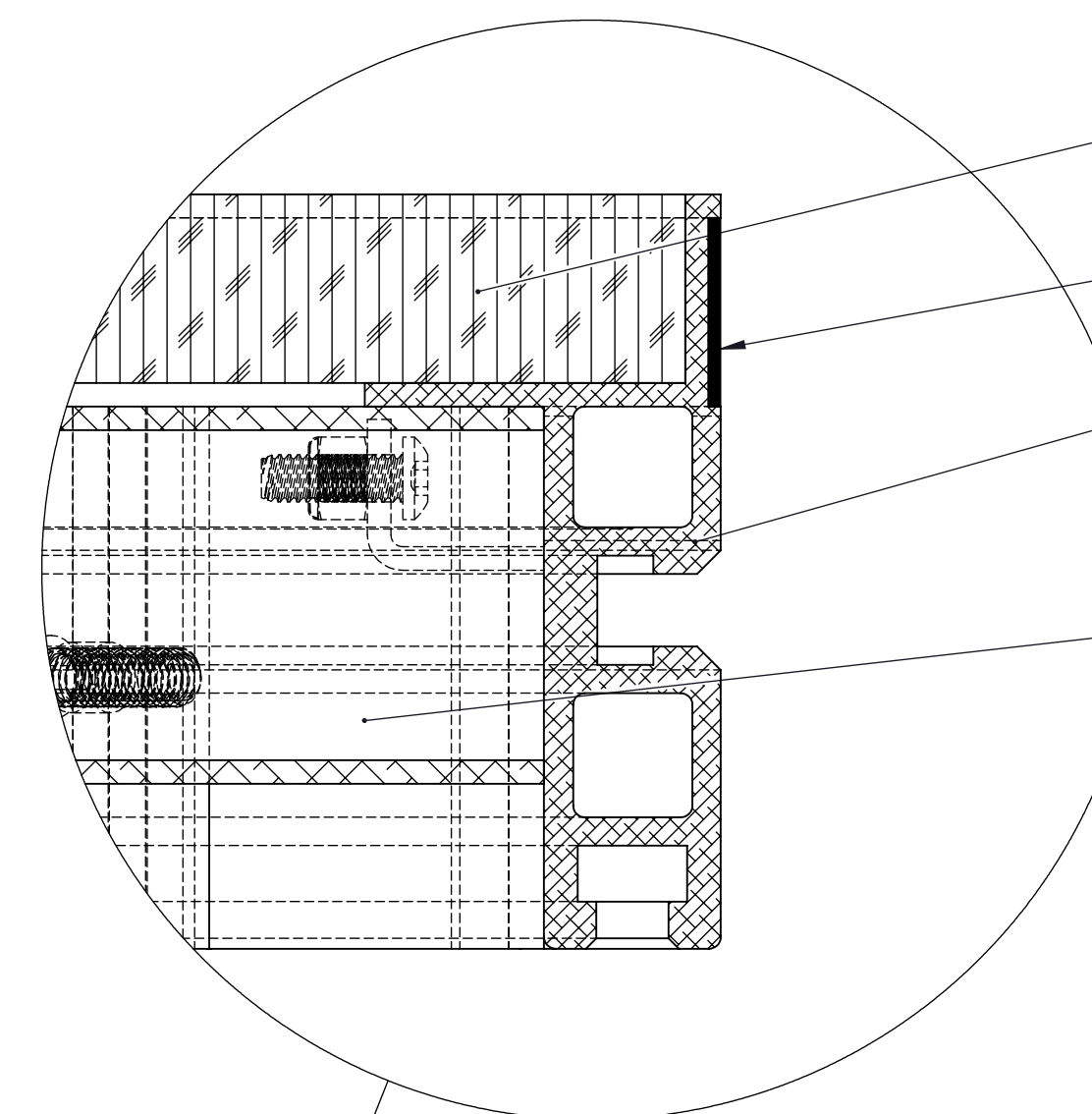


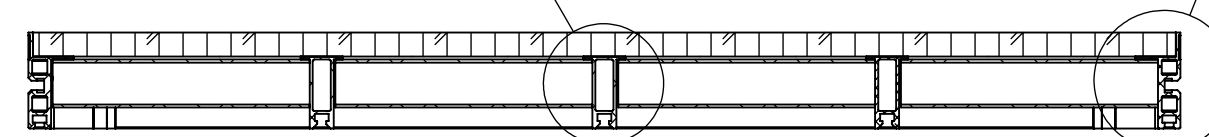
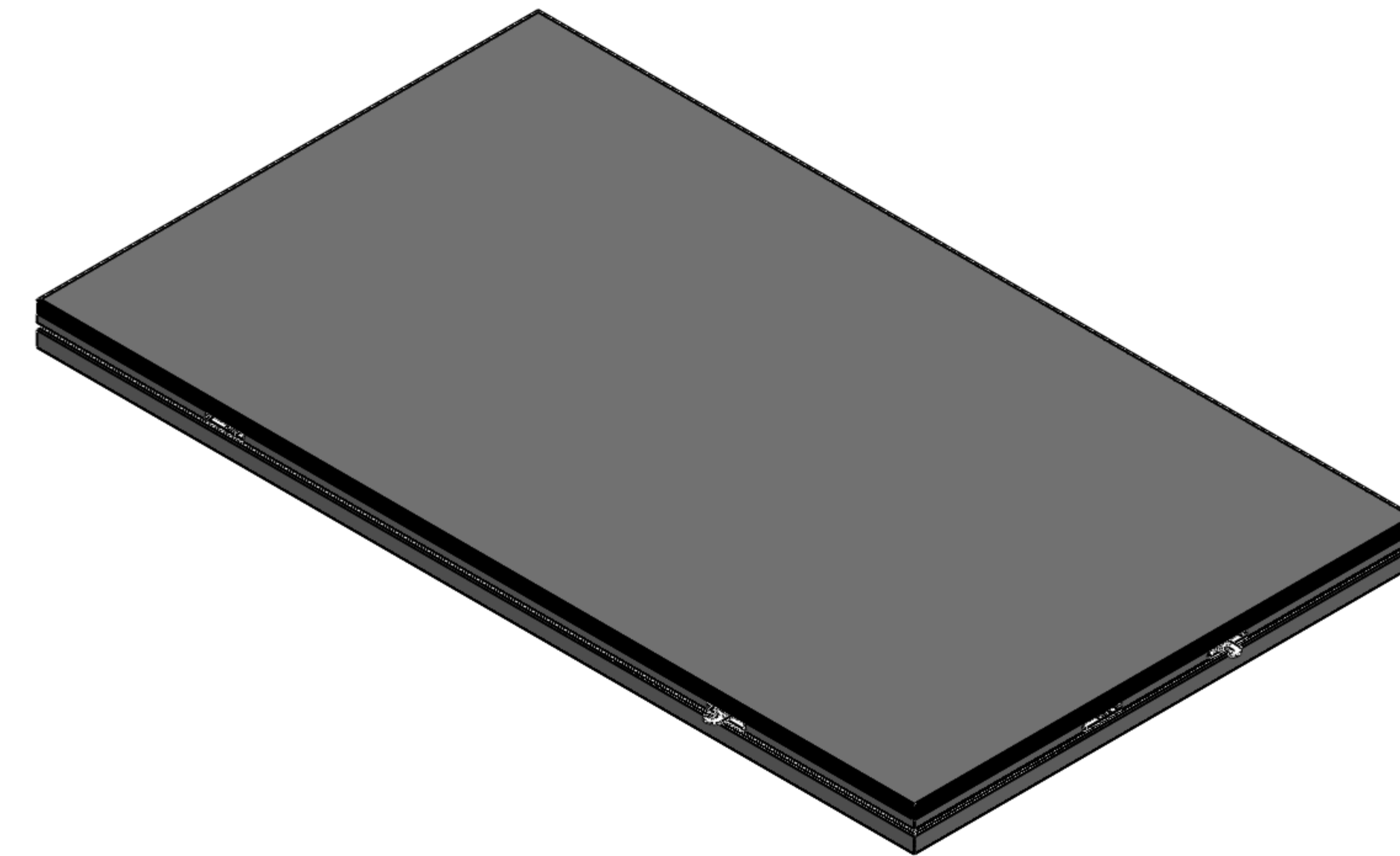
COFFIN LOCK  
4 MALE - 4 FEMALE  
8PL.



DETAIL C  
SCALE 1 : 1



DETAIL B  
SCALE 1 : 1



SECTION A-A  
SCALE 1 : 8

NOTES: UNLESS OTHERWISE SPECIFIED

PROJECT NAME: 4' x 7' G-DECK	DATE: 03/25/15
DRAWING TITLE: 4' X 7' G-DECK	REVISION: V1
PROJECT NUMBER:	SCALE: 1 TO 8
DRAWN BY:	ON 11 X 17 PAGE

GALLAGHER STAGING & PRODUCTIONS  
15701 HERON AVE  
LA MIRADA, CA 90638

