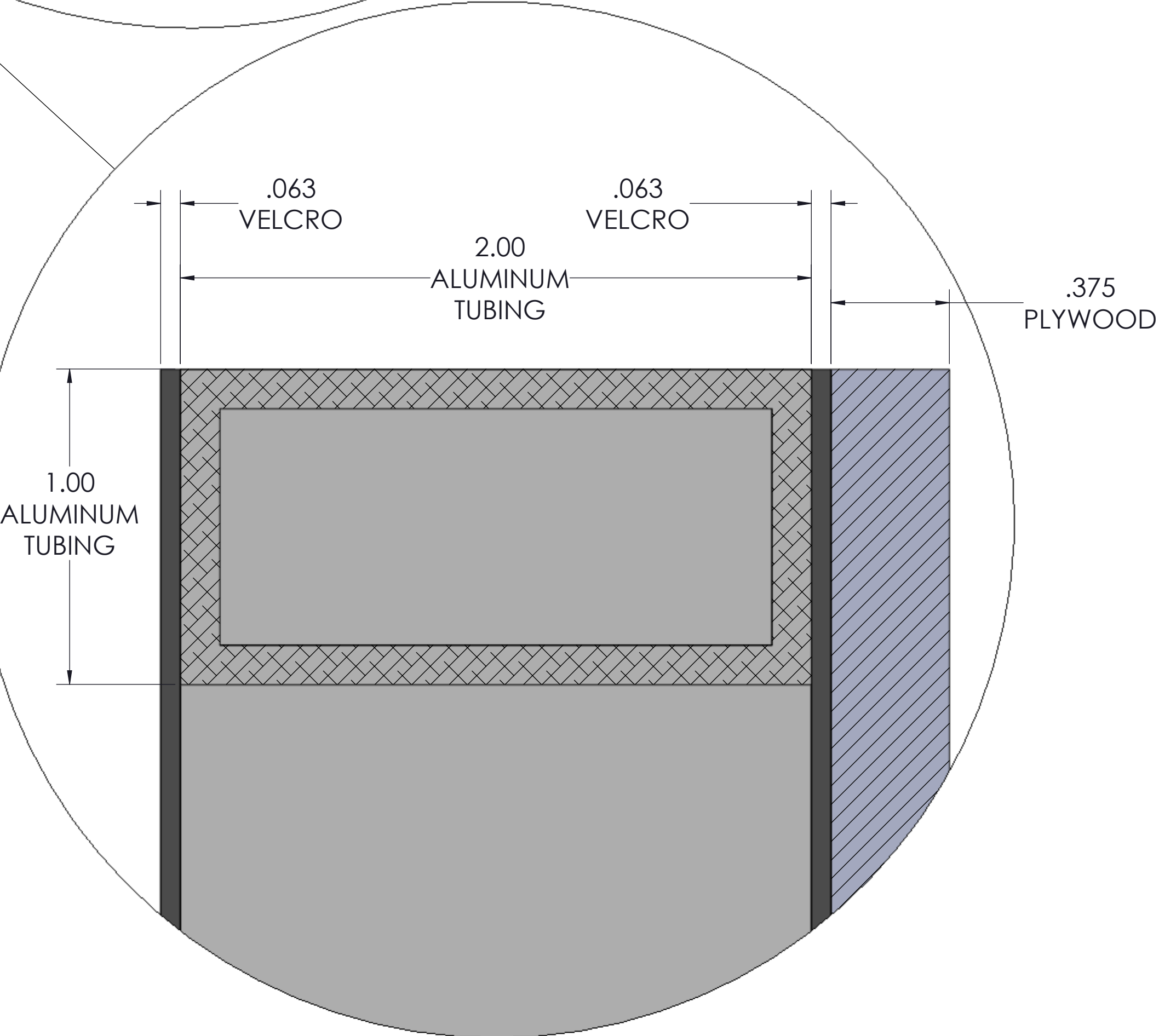
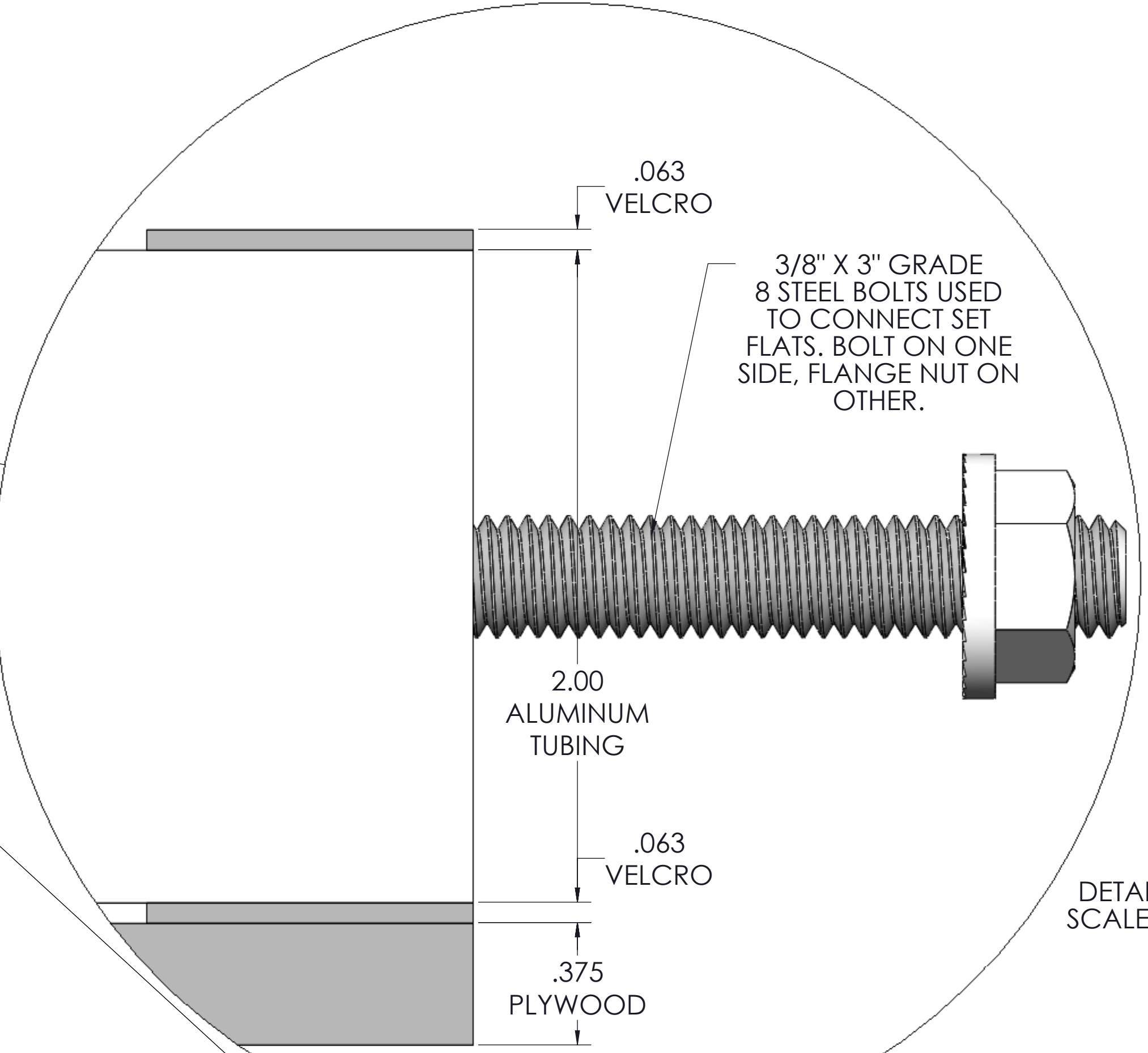
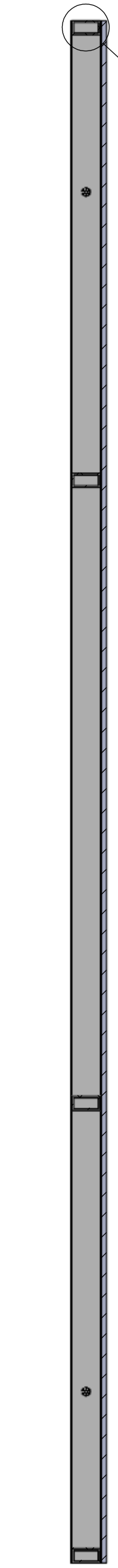
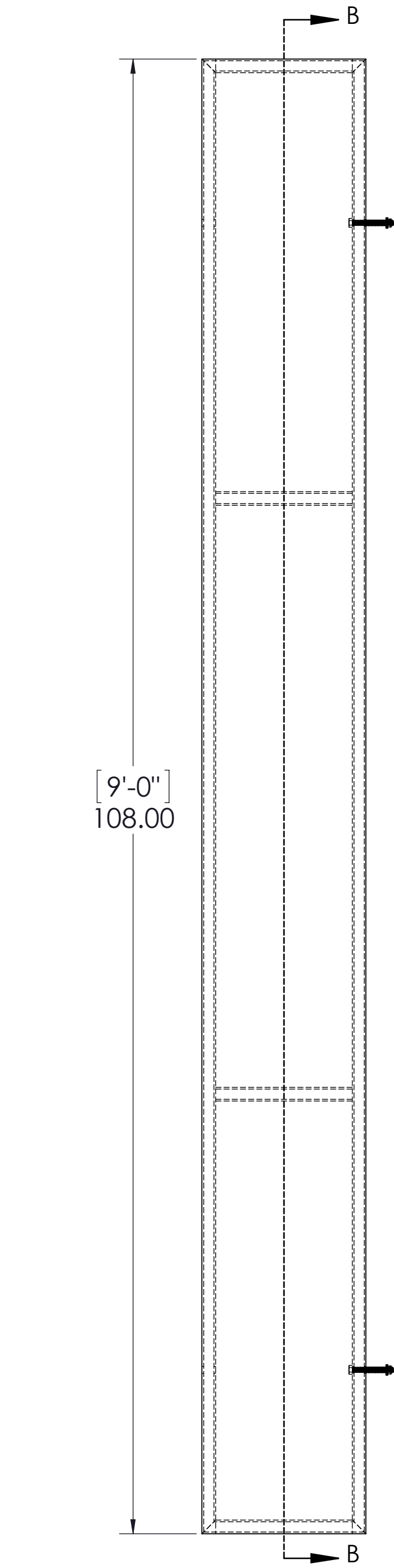


8 7 6 5 4 3 2 1



1. CONTACT ADAM SWINGLER FOR QUESTIONS OR CONCERNS (adam@gallgherstaging.com)
 NOTES: UNLESS OTHERWISE SPECIFIED

PROJECT NAME: GALLAGHER SET FLAT WALL	DATE: 06/30/2015
DRAWING TITLE: GALLAGHER SET FLAT WALL - 1FT X 9FT	REVISION: V1
PROJECT NUMBER:	SCALE: 1 TO 8
DRAWN BY: AARON SANCHEZ	ON 11 X 17 PAGE

GALLAGHER STAGING & PRODUCTIONS
 15701 HERON AVE
 LA MIRADA, CA 90638



8 7 6 5 4 3 2 1