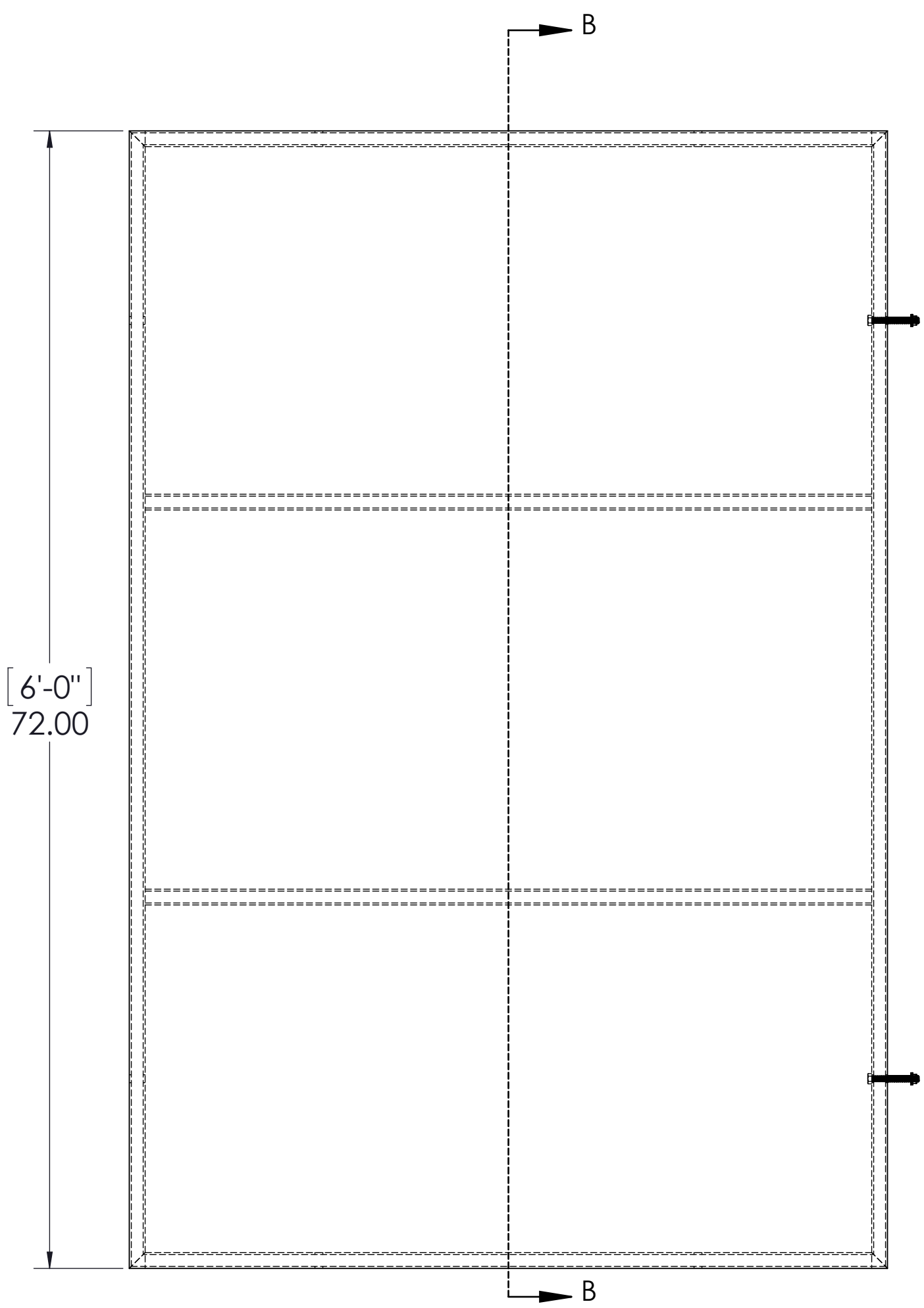
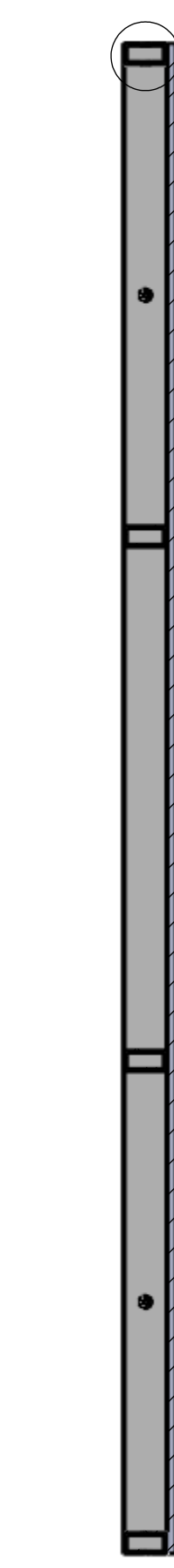


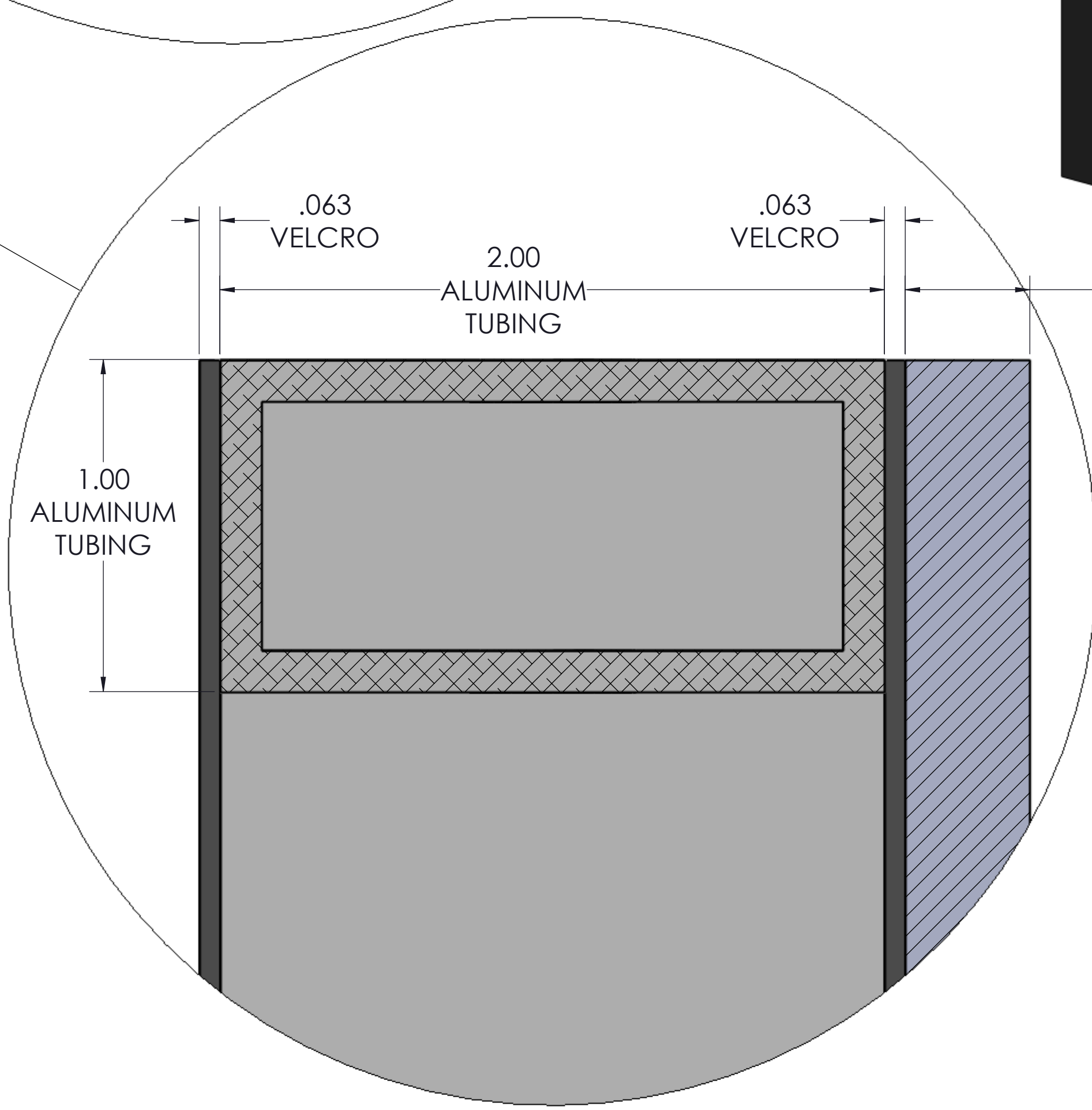
DETAIL A  
SCALE 3 : 1



FRONT ELEVATION VIEW



SECTION B-B  
SCALE 1 : 8



DETAIL C  
SCALE 3 : 1

1. CONTACT ADAM SWINGLER FOR QUESTIONS OR CONCERNS ([adam@gallgherstaging.com](mailto:adam@gallgherstaging.com))  
 NOTES: UNLESS OTHERWISE SPECIFIED

PROJECT NAME: GALLAGHER SET FLAT WALL		DATE: 06/30/2015
DRAWING TITLE: GALLAGHER SET FLAT WALL - 4FT X 6FT		REVISION: V1
PROJECT NUMBER:		SCALE: 1 TO 8
DRAWN BY: AARON SANCHEZ		ON 11 X 17 PAGE
<b>GALLAGHER STAGING &amp; PRODUCTIONS</b> 15701 HERON AVE LA MIRADA, CA 90638		