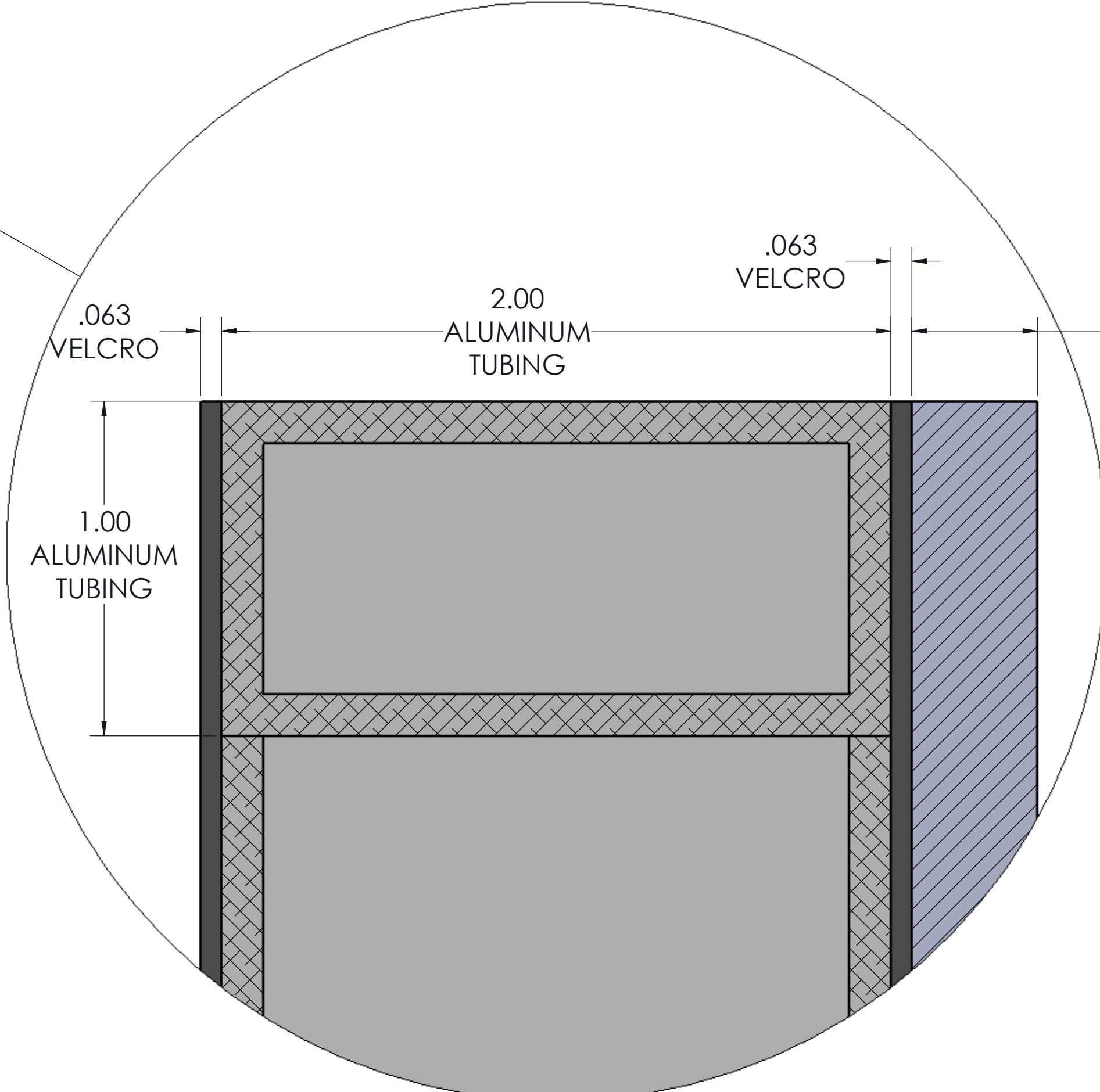
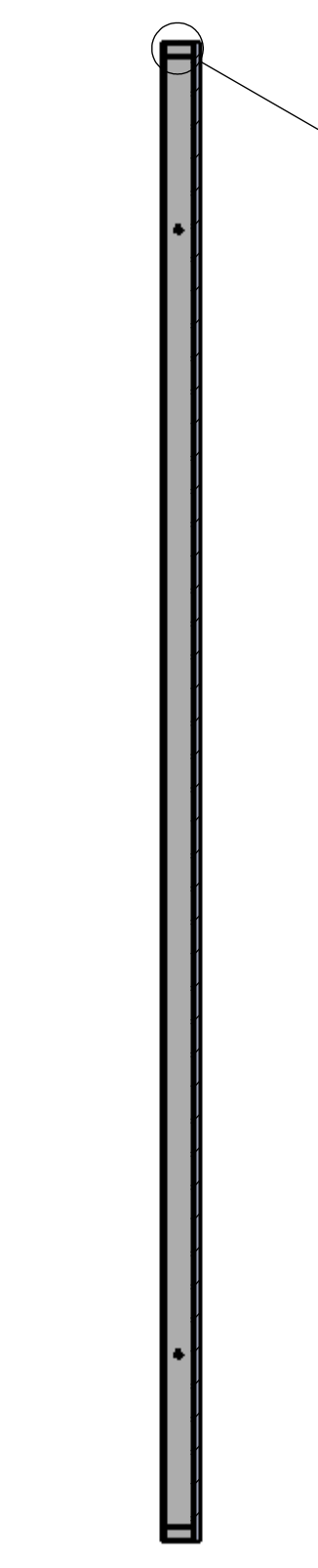
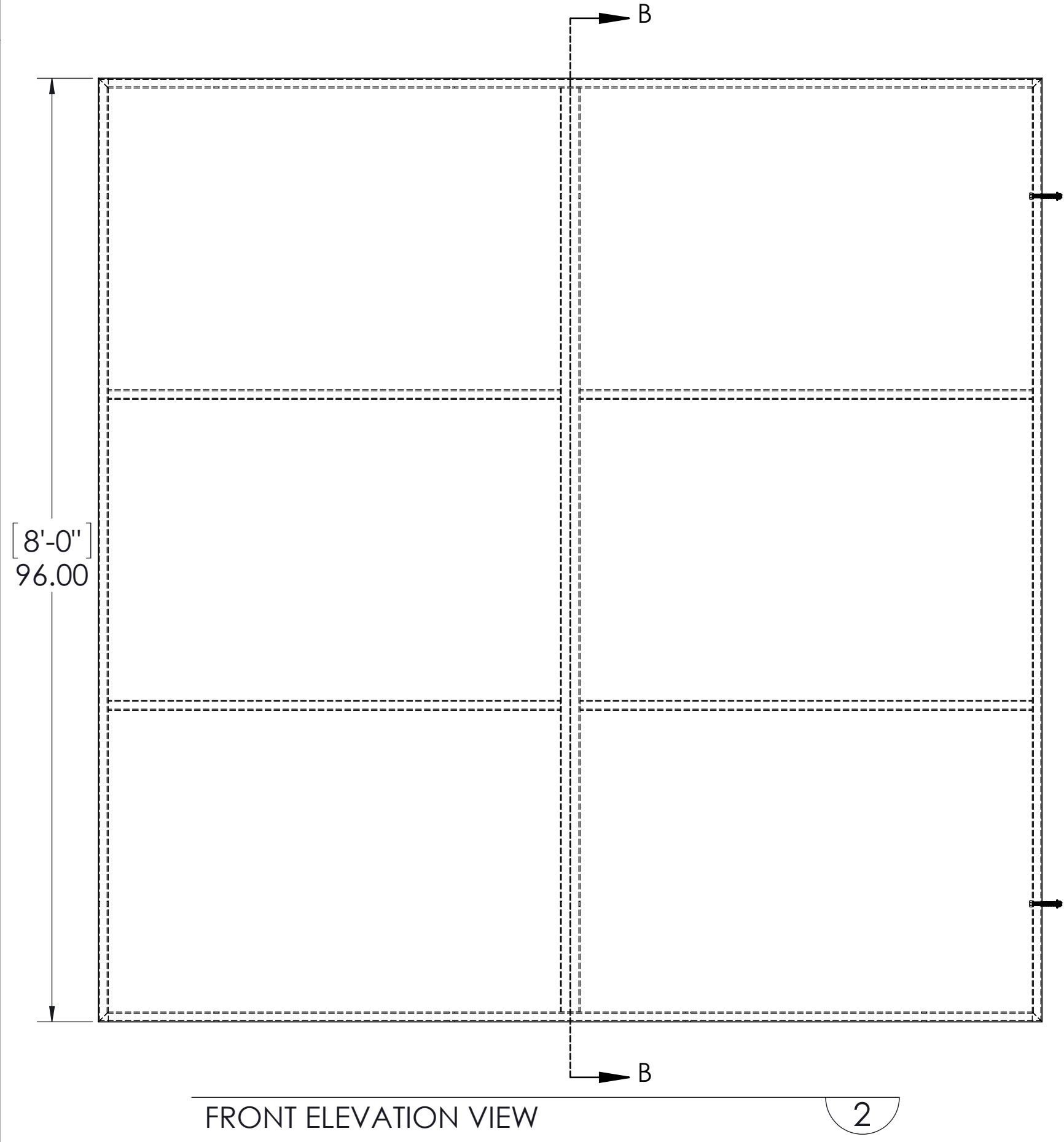
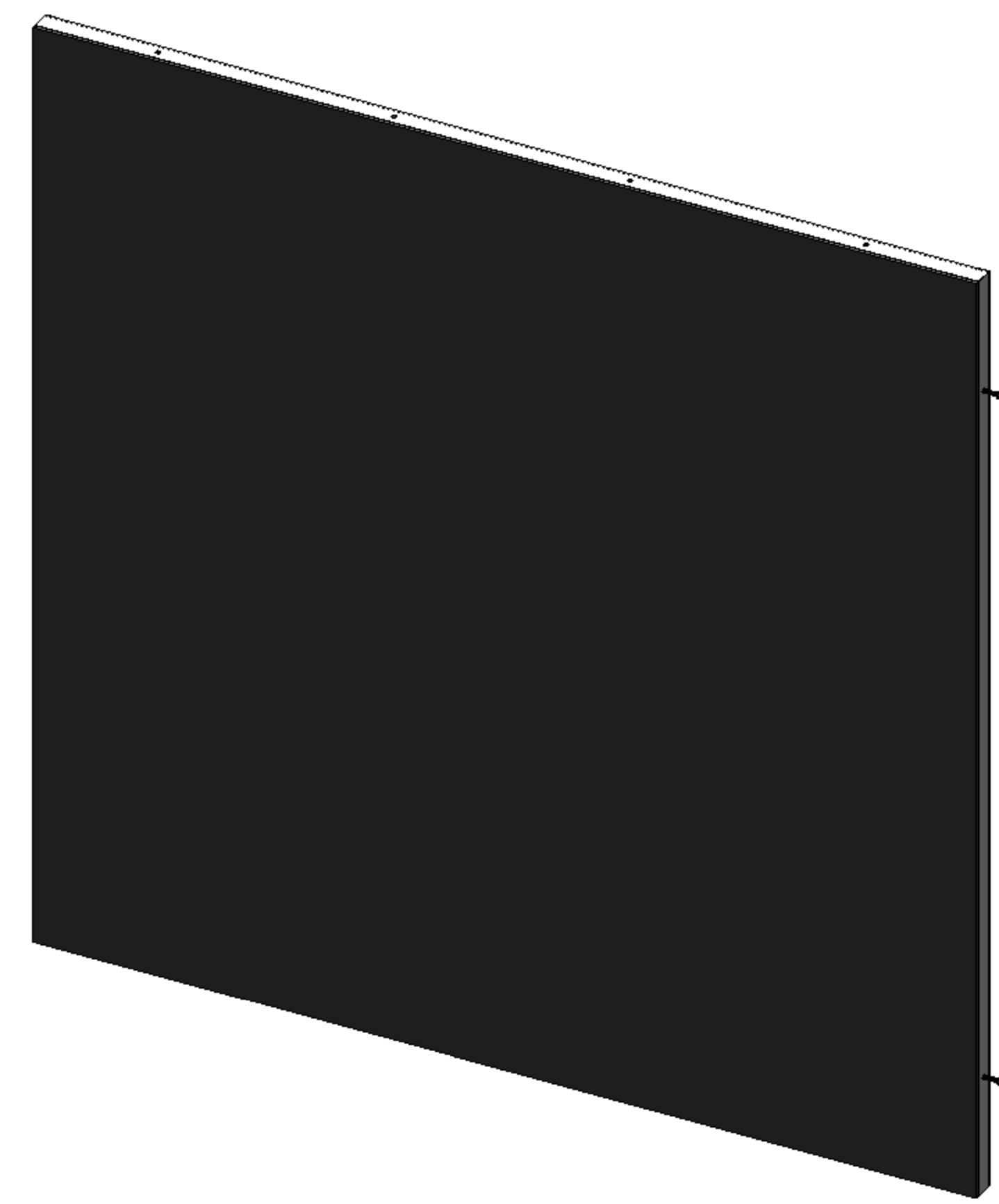


DETAIL A  
SCALE 3 : 1



DETAIL C  
SCALE 3 : 1

1. CONTACT ADAM SWINGLER FOR QUESTIONS OR CONCERNS (adam@gallgherstaging.com)  
NOTES: UNLESS OTHERWISE SPECIFIED

PROJECT NAME: GALLAGHER SET FLAT WALL	DATE: 06/30/2015
DRAWING TITLE: GALLAGHER SET FLAT WALL - 8FT X 8FT	REVISION: V1
PROJECT NUMBER:	SCALE: 1 TO 12
DRAWN BY: AARON SANCHEZ	ON 11 X 17 PAGE

GALLAGHER STAGING & PRODUCTIONS  
15701 HERON AVE  
LA MIRADA, CA 90638

