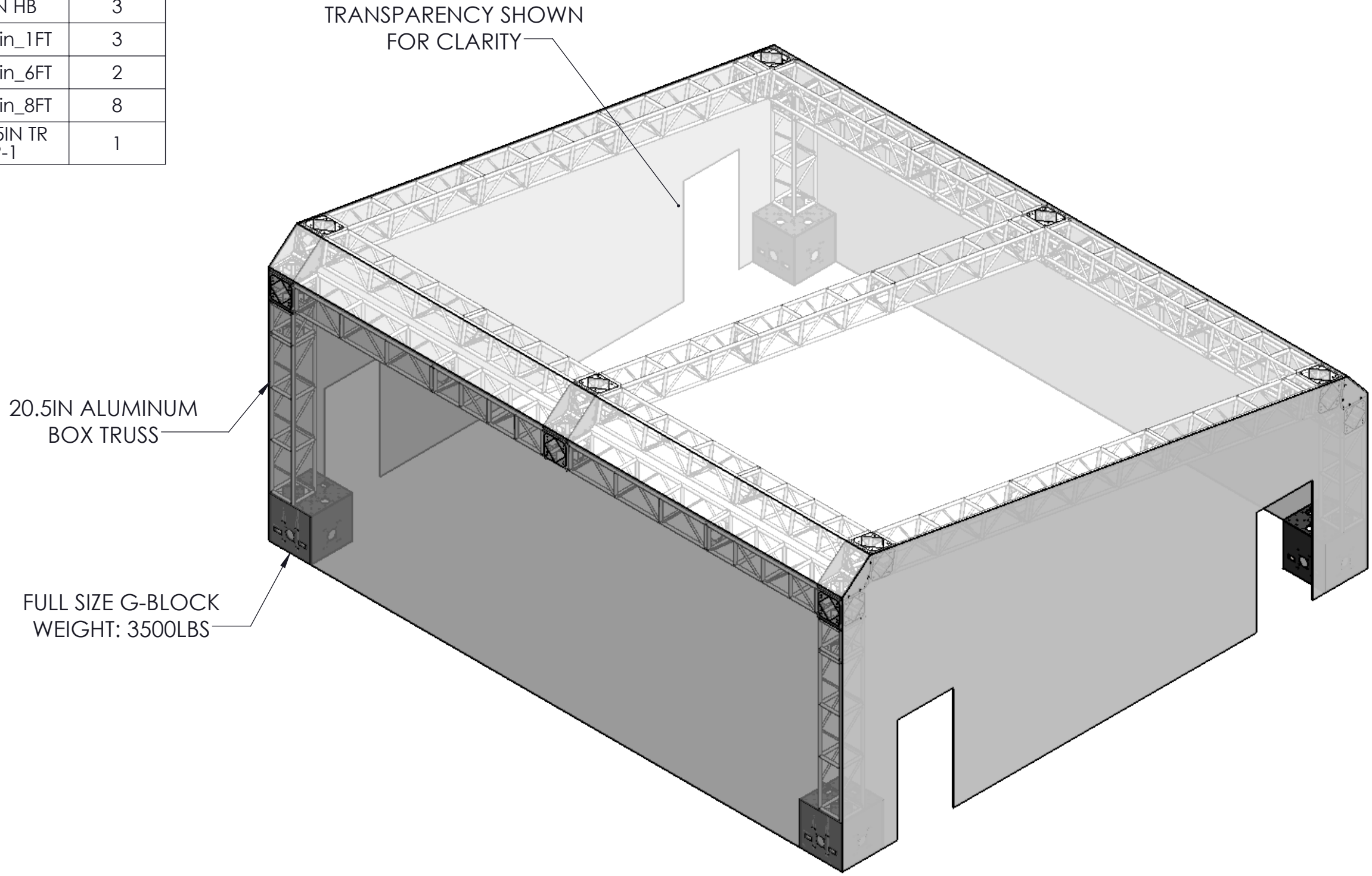


GALLAGHER STAGING & PRODUCTIONS
 15701 Heron Ave,
 La Mirada,
 CA 90628
 TEL : +1 (714) 690 1559
 www.gallagherstaging.com

Project Name:	Gallagher	Date:	3/26/2020
Drawing Name:	Gallagher-20.5in Truss Shade Structure	Scale:	1:70 @ 11in x 17in
Project Number:	GS-20	Rev Date:	
Drawn by:	ASanchez	Sheet:	1 of 4
Drawing Number:	SA-GS-20.5IN TR SHADE STRUCTURE	Rev:	1

BOM Table		
ITEM NO.	PART NUMBER	QTY.
1	G Block Assy	4
2	SA-GS-TR 20.5in_10FT	19
3	SA-GS-TR 20.5in_2FT	2
4	SA-GS-SP 20.5x20.5_0.5IN	4
5	SA-GS-CB 20.5in	12
6	SA-GS-20.5IN HB	3
7	SA-GS-20.5IN HB	3
8	SA-GS-TR 20.5in_1FT	3
9	SA-GS-TR 20.5in_6FT	2
10	SA-GS-TR 20.5in_8FT	8
11	COM-GS-20.5IN TR VINYL TOP-1	1

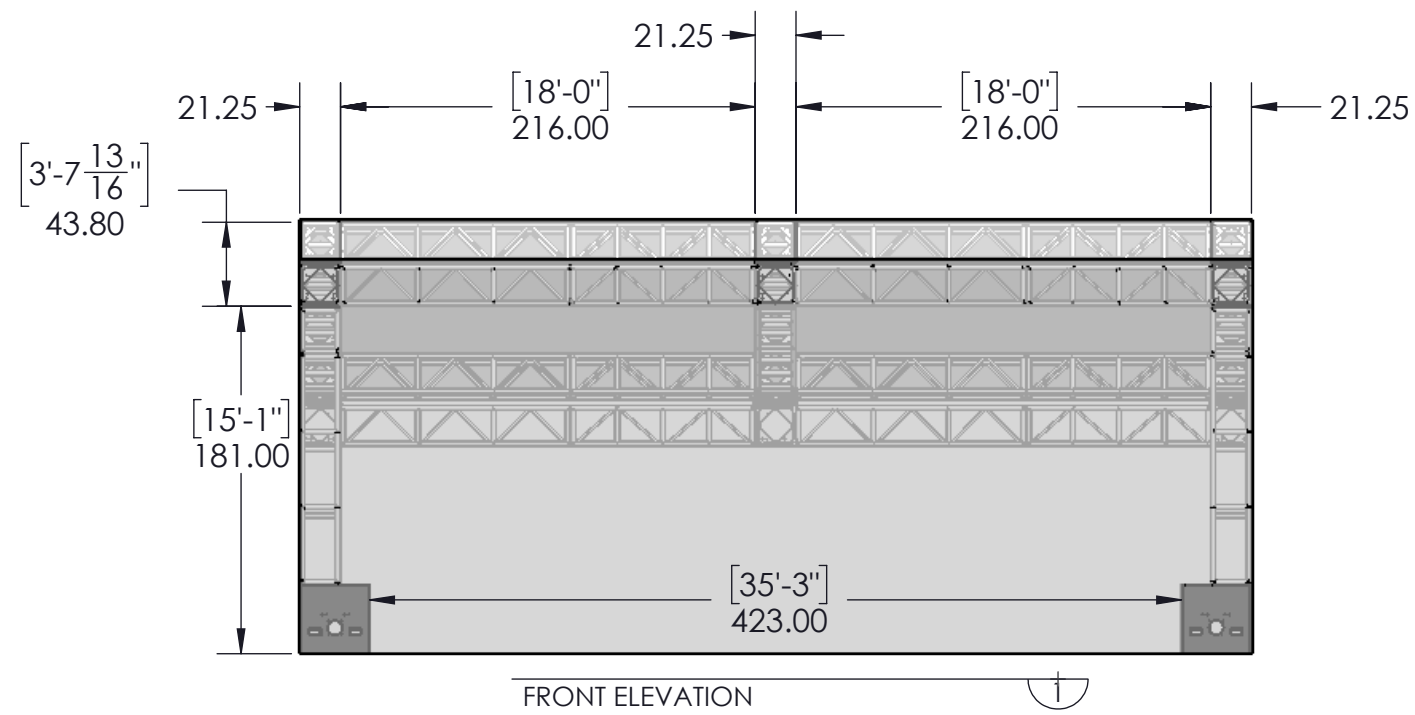
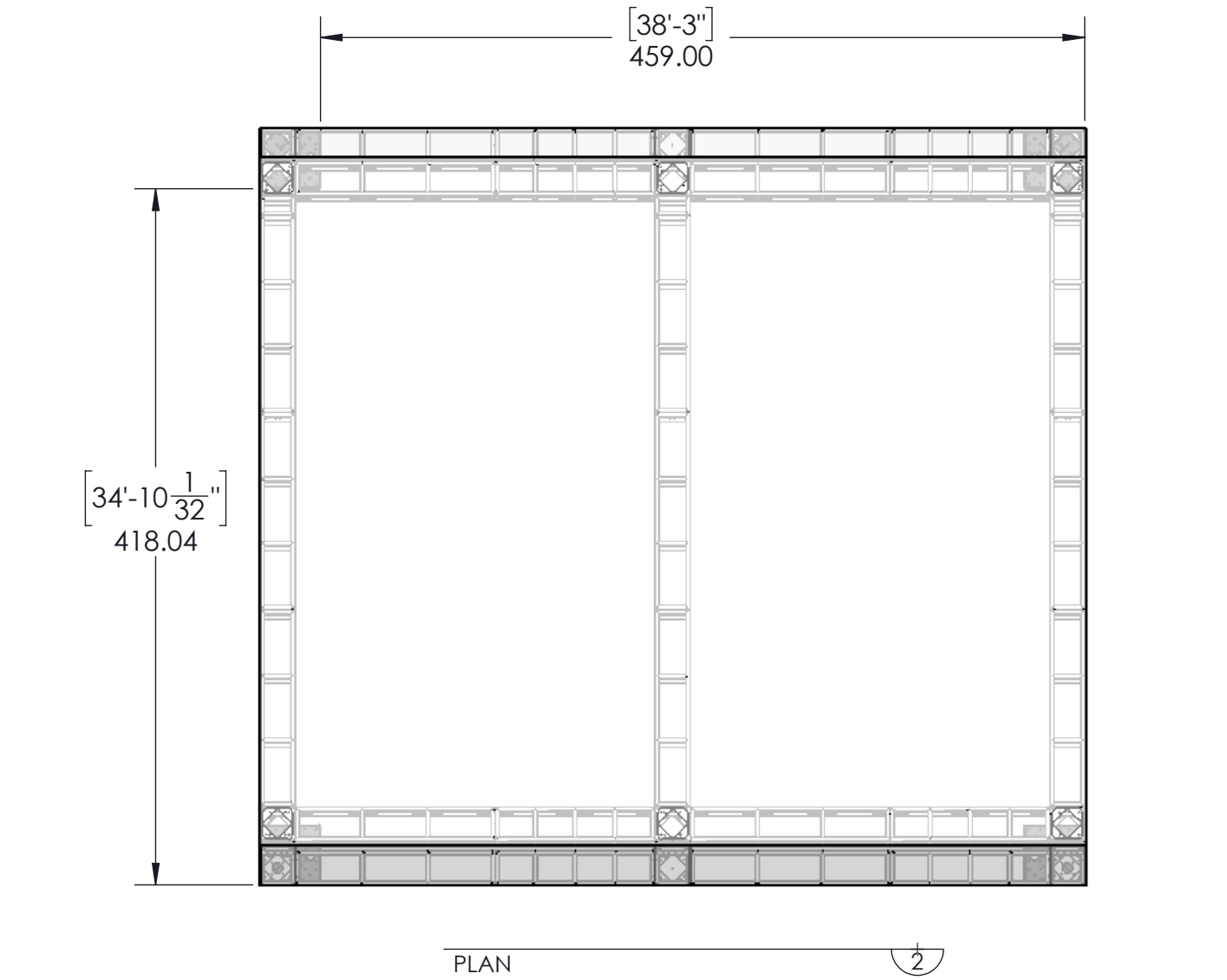


Date:	3/26/2020
Scale:	1:70 @ 11in x 17in
Rev Date:	
Sheet:	2 of 4
Rev:	1

Project Name: Gallagher
Drawing Name: Gallagher-20.5in Truss Shade Structure
Project Number: GS-20
Drawn by: ASanchez
Drawing Number: SA-GS-20.5IN TR SHADE STRUCTURE

GALLAGHER STAGING & PRODUCTIONS
 15701 Heron Ave,
 La Mirada,
 CA 90628
 TEL : +1 (714) 690 1559
 www.gallagherstaging.com

THIS DRAWING IS PROPERTY OF GALLAGHER STAGING AND PRODUCTIONS AND CANNOT BE DUPLICATED, MODIFIED OR USED FOR ANY OTHER PURPOSE WITHOUT WRITTEN PERMISSION FROM GALLAGHER STAGING. USE OF THIS DRAWING FOR BIDDING IS STRICTLY PROHIBITED. VERIFY ALL DIMENSIONS, SPECIFICATIONS, AND CONDITIONS BEFORE USING THIS DRAWING FOR CONSTRUCTION. THIS DRAWING IS CONFIDENTIAL AND SHOULD NOT BE DISCLOSED TO A 3RD PARTY WITHOUT WRITTEN PERMISSION FROM GALLAGHER STAGING AND PRODUCTIONS.



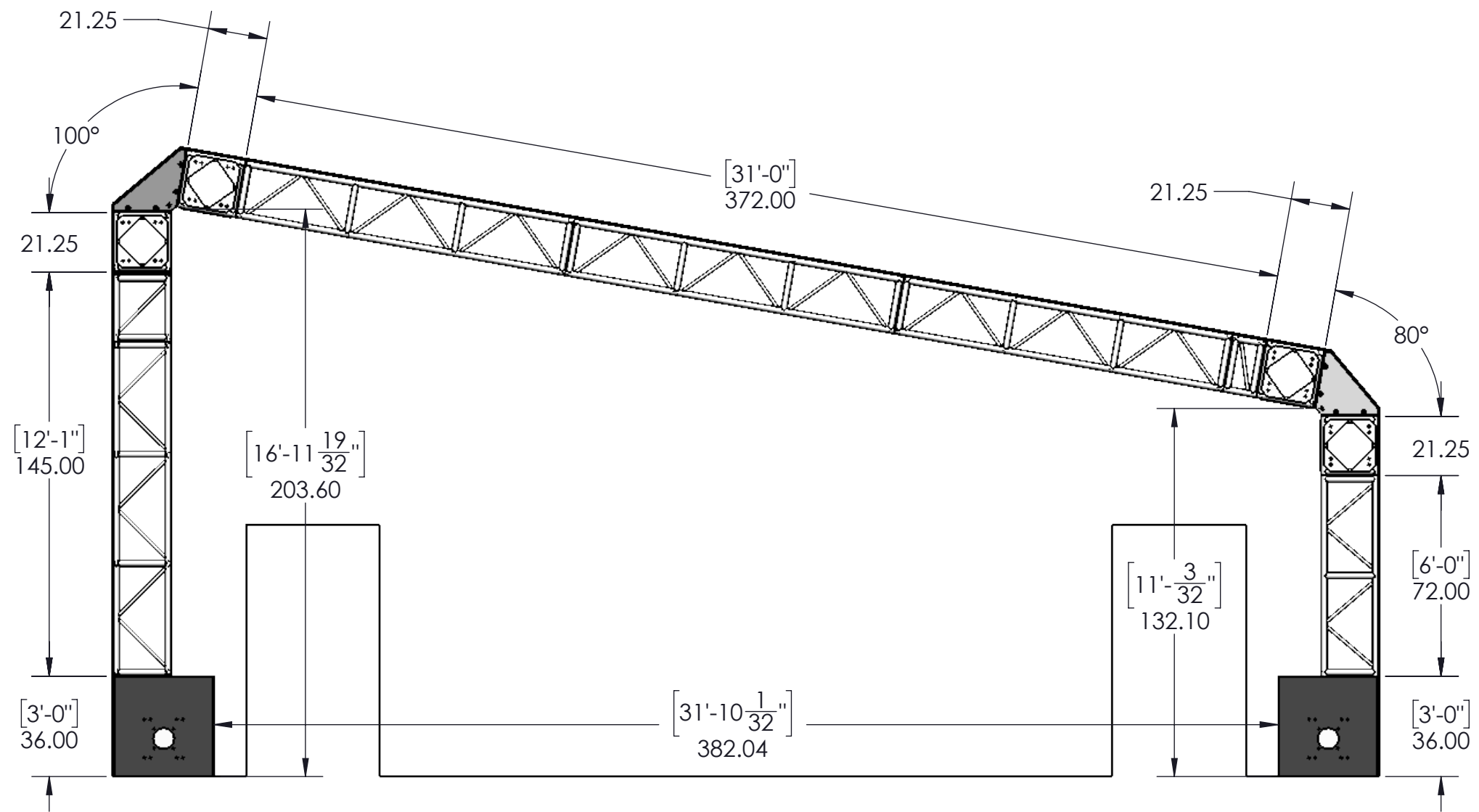
All dimensions in inches unless otherwise stated Do **NOT** measure undimensioned features **IF IN DOUBT - ASK!**

GALLAGHER STAGING & PRODUCTIONS
 15701 Heron Ave,
 La Mirada,
 CA 90628
 TEL : +1 (714) 690 1559
 www.gallagherstaging.com



Project Name: Gallagher	Date: 3/26/2020
Drawing Name: Gallagher-20.5in Truss Shade Structure	Scale: 1:100 @ 11in x 17in
Project Number: GS-20	Rev Date:
Drawn by: ASanchez	Sheet: 3 of 4
Drawing Number: SA-GS-20.5IN TR SHADE STRUCTURE	Rev: 1

THIS DRAWING IS PROPERTY OF GALLAGHER STAGING AND PRODUCTIONS AND CANNOT BE DUPLICATED, MODIFIED OR USED FOR ANY OTHER PURPOSE WITHOUT WRITTEN PERMISSION FROM GALLAGHER STAGING. USE OF THIS DRAWING FOR BIDDING OR STRICTLY PROHIBITED. VERIFY ALL DIMENSIONS, SPECIFICATIONS, AND CONDITIONS BEFORE USING THIS DRAWING FOR CONSTRUCTION. THIS DRAWING IS CONFIDENTIAL AND SHOULD NOT BE DISCLOSED TO A 3RD PARTY WITHOUT WRITTEN PERMISSION FROM GALLAGHER STAGING AND PRODUCTIONS.



END ELEVATION

3

All dimensions in inches unless otherwise stated Do **NOT** measure undimensioned features **IF IN DOUBT - ASK!**

GALLAGHER STAGING & PRODUCTIONS
 15701 Heron Ave,
 La Mirada,
 CA 90628
 TEL : +1 (714) 690 1559
 www.gallagherstaging.com



Project Name: Gallagher

Drawing Name: Gallagher-20.5in Truss Shade Structure

Project Number: GS-20

Drawn by: ASanchez

Drawing Number: SA-GS-20.5IN TR SHADE STRUCTURE

Date: 3/26/2020

Scale: 1:50 @ 11in x 17in

Rev Date:

Sheet: 4 of 4

Rev: 1

THIS DRAWING IS PROPERTY OF GALLAGHER STAGING AND PRODUCTIONS AND CANNOT BE DUPLICATED, MODIFIED OR USED FOR ANY OTHER PURPOSE WITHOUT WRITTEN PERMISSION FROM GALLAGHER STAGING. USE OF THIS DRAWING FOR BIDDING IS STRICTLY PROHIBITED. VERIFY ALL DIMENSIONS, SPECIFICATIONS, AND CONDITIONS BEFORE USING THIS DRAWING FOR CONSTRUCTION. THIS DRAWING IS CONFIDENTIAL AND SHOULD NOT BE DISCLOSED TO A 3RD PARTY WITHOUT WRITTEN PERMISSION FROM GALLAGHER STAGING AND PRODUCTIONS.